



COMMERCIAL ICE MAKER

FM-120KE-50-HC
FM-120KE-50-HCN

PARTS LIST

[HE]

F115-C127, F115-C129

F-1 SEP. 2016
H-0 JAN. 2018
H-1 JAN. 2018
J-1 APR. 2019

Product Code Spec

FM-120KE-50-HC

F115-C127	Standard
------------------	----------

FM-120KE-50-HCN

F115-C129	Nugget type		
------------------	-------------	--	--

AUXILIARY CODE

U - 1

The auxiliary code is the first two characters in the serial number. The first character indicates the production year. Years progress or regress in alphabetical order. The series of letters and skipped letters depend on UL listing, production, and model. See the auxiliary code(s) and corresponding year(s) on the front cover.

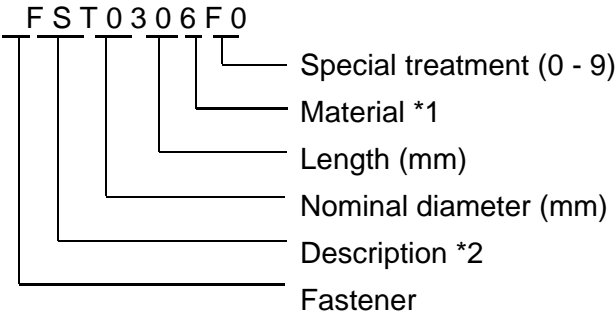
The second character indicates significant part changes within the same year. Base is "1" and this number advances for each change. If there is no significant part change at the turn of the year, this number starts from "0."

MARKS LOCATED UNDER THE AUXILIARY CODE

- = Part deleted.
- x = Part deleted and replaced by "o" part.
- o = New part in place of "x" part.

FASTENER PART NUMBER

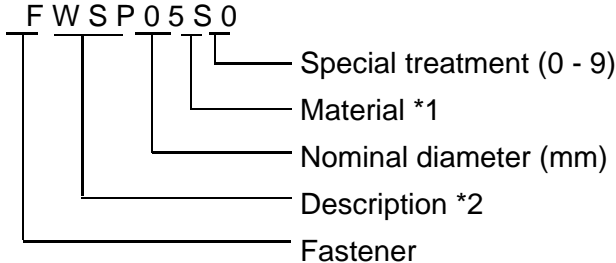
SCREWS



*1 Material

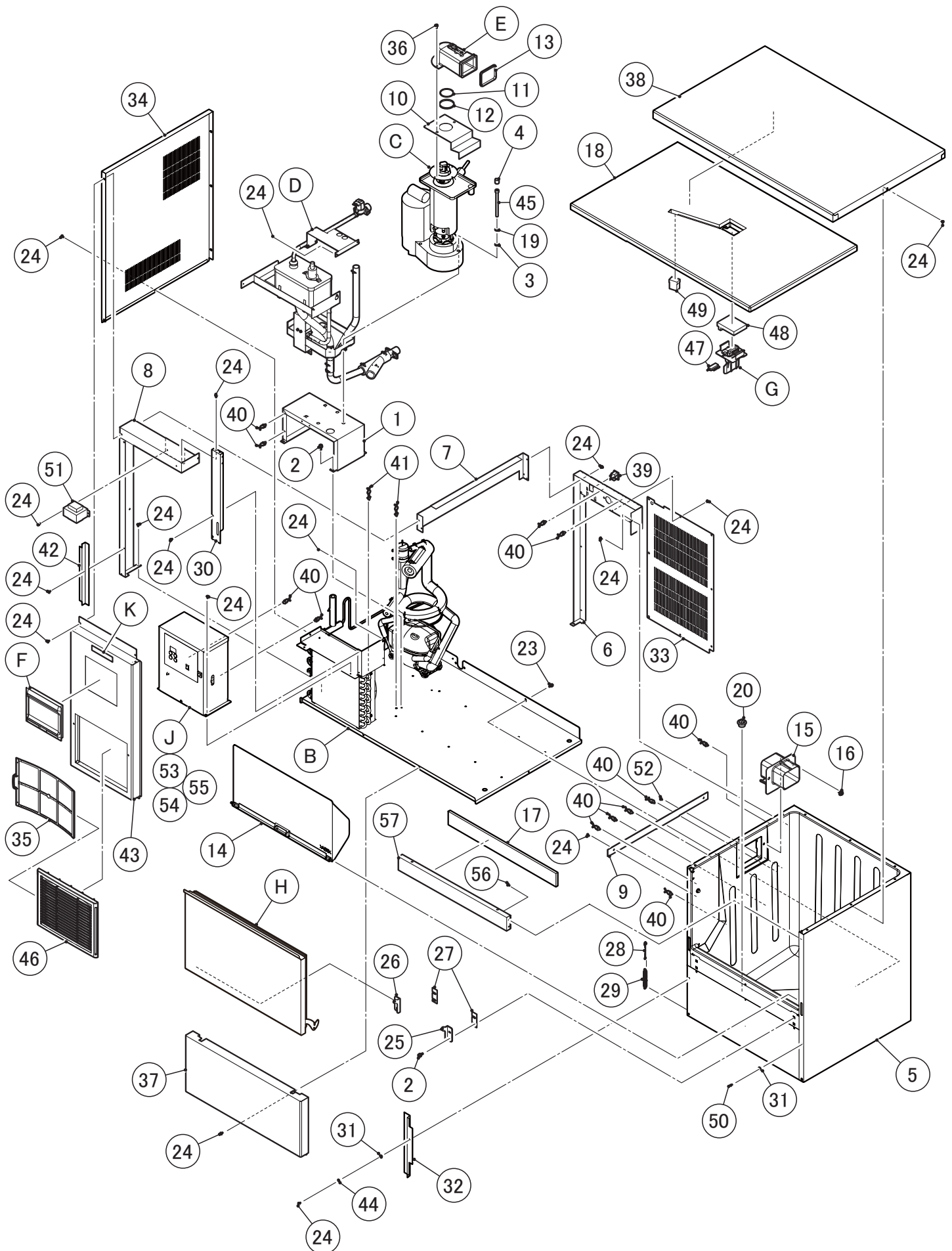
- F: Steel
- S: Austenitic stainless steel
- M: Martensitic stainless steel
- B: Copper alloy
- P: Polycarbonate
- N: Polyamide
- V: PVC
- A: ABS
- X: Polyacetal
- L: Aluminum

NUTS & WASHERS



*2 Description

- First letter
- S: Machine screw
- T: Tapping screw
- M: Wood screw
- B: Bolt
- W: Washer
- N: Nut



MODEL: **FM-120KE-50-HC**
FM-120KE-50-HCN

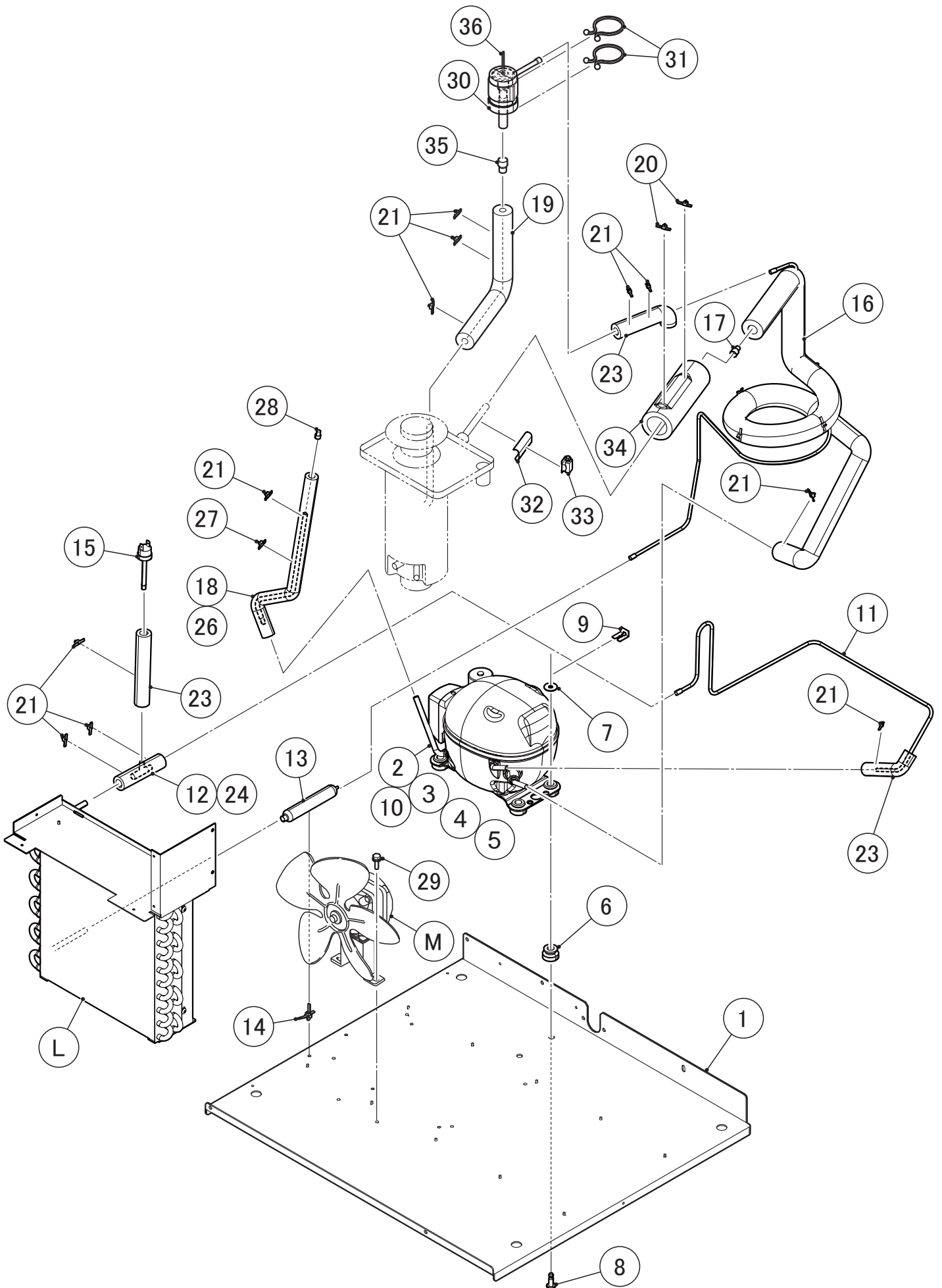
TITLE: **A. ICE FLAKER ASSY**

INDEX NO.	DESCRIPTION	MATERIAL OR MODEL NUMBER	PART NUMBER	REQ'D NUMBER				
				F-1 G-2	H-0	H-1 and later		
B	REFRIGERATION CIRCUIT		124516001	1	1	1		
C	ICE MAKING UNIT		376130A02	1	1	1		
		F115-C129	376130003	1	1	1		
D	WATER CIRCUIT ASSY		121617A01	1	1	1		
E	SPOUT ASSY		358941A01	1	1	1		
F	WINDOW PANEL ASSY		348243A03	1	1	1		
G	ACTUATOR ASSY		350301A01	1	1	1		
H	DOOR ASSY		373748A01	1	1	1		
J	CONTROL BOX ASSY		269945A01	1	1	1		
K	LABEL LOCATION		261552A11	1	1	1		
		F115-C129	261552A12	1	1	1		
N	ACCESSORIES		A03316-01	1	1	1		
1	BRACKET / GM		376111G01	1	1	1		
2	HEX HEAD BOLT (SPRING WASHER AND FLAT WASHER)		FBK0616S0	8	8	8		
3	SEAL WASHER		458299-01	3	3	3		
4	VINYL CAP		451272-01	3	3	3		
5	BIN - FOAMED		261634G01	1	1	1		
6	REAR FRAME		261572M01	1	1	1		
7	SIDE FRAME		376024M01	1	1	1		
8	FRONT FRAME		263035M01	1	1	1		
9	BRACE - EVAPORATOR		476423M01	1	1	1		
10	BRACKET-EVA		376026M01	1	1	1		
11	O-RING		7616-G045	1	1	1		
12	RING		432661-03	1	1	1		
13	PACKING (A) - SPOUT		427152-02	1	1	1		
14	SLOPE		362590G01	1	1	1		
15	SPOUT(B)		232654-02	1	1	1		
16	BOLT		462612-01	2	2	2		
17	INSULATION - FRONT		466394-02	1	1	1		

MODEL: **FM-120KE-50-HC**
FM-120KE-50-HCN

TITLE: **A. ICE FLAKER ASSY**

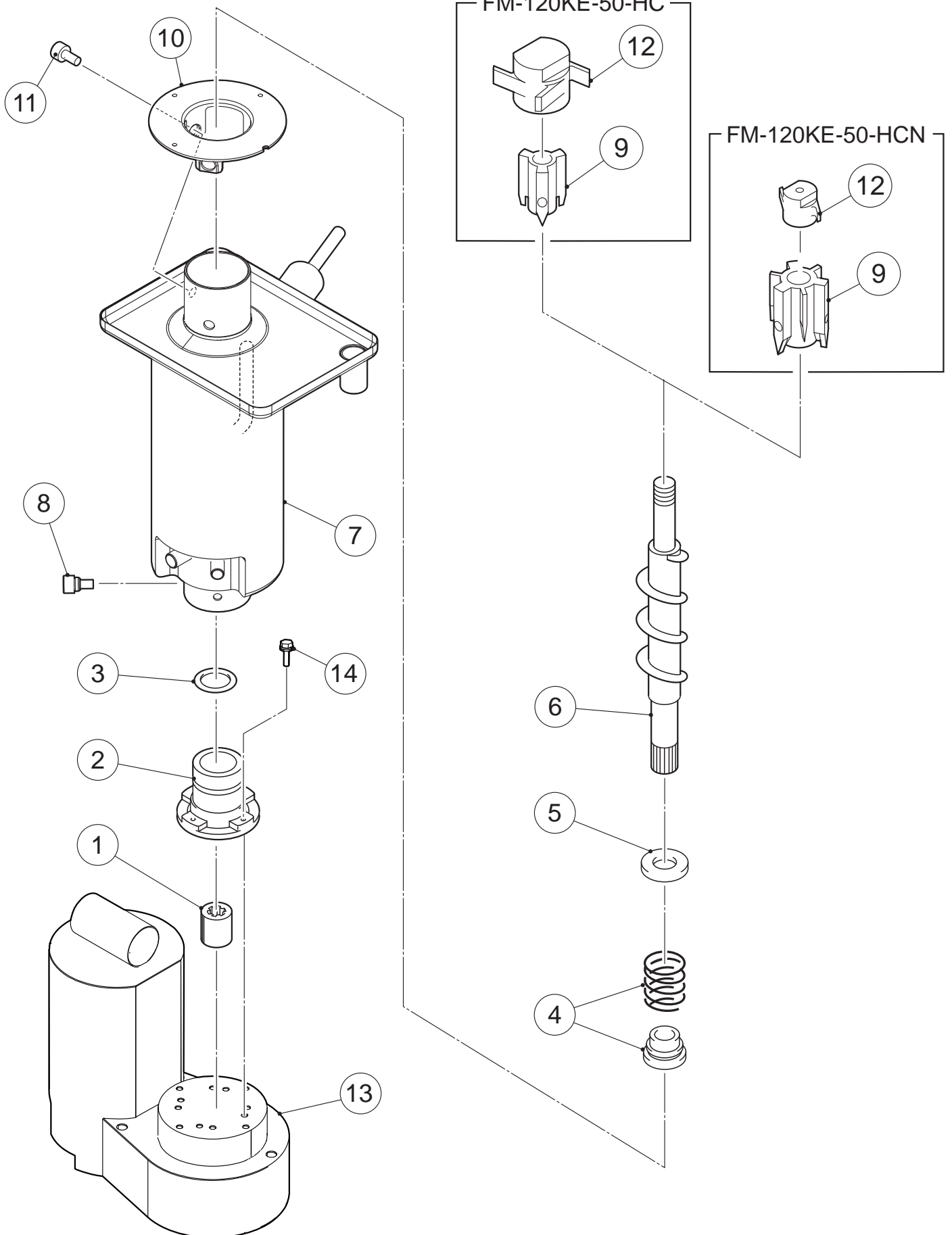
INDEX NO.	DESCRIPTION	MATERIAL OR MODEL NUMBER	PART NUMBER	REQ'D NUMBER				
				F-1 G-2	H-0	H-1 and later		
18	UPPER PANEL		258352G01	1	1	1		
19	SPRING WASHER		FWSP08S0	3	3	3		
20	DRAIN PIPE		466275-01	1	1	1		
23	HEX HEAD BOLT (SPRING WASHER AND FLAT WASHER)		FBK0512S0	1	1	1		
24	TRUSS HEAD TAPPING SCREW (S-TITE)		FTS0408M0	38	38	38		
25	HINGE (RIGHT)		4H2583-01	1	1	1		
26	HINGE (LEFT)		4H2584-01	1	1	1		
27	HINGE SPACER (B)		4H0605-02	2	2	2		
28	HOOK		404060-07	1	1	1		
29	SPRING		4H0823-01	1	1	1		
30	FRONT PLATE		358898-01	1	1	1		
31	TAPER COLLAR		4H0171-01	2	2	2		
32	BARRIER - AIR (B)		468195-01	1	1	1		
33	REAR PANEL(L)		261575M01	1	1	1		
34	SIDE PANEL(L)		261576M01	1	1	1		
35	AIR FILTER		2X0416G01	1	1	1		
36	HEX HEAD BOLT (SPRING WASHER AND FLAT WASHER)		FBK0412S0	3	3	3		
37	FRONT PANEL (R)		362596-01	1	1	1		
38	TOP PANEL		241759-02	1	1	1		
39	CONNECTOR		P00245-02	1	1	1		
40	CLAMP	No. 249	427902-03	12	12	12		
41	CLAMP	No.1F55	427902-07	3	3	3		
42	BARRIER - AIR		466295-01	1	1	1		
43	FRONT PANEL		376112G01	1	1	1		
44	FLAT WASHER		FWPL04F0	1	1	1		
45	HEXAGON SOCKET HEAD CAP SCREW		461285-01	3	3	3		
46	LOUVER		1H4811P01	1	1	1		
47	REED SWITCH		453861-02	1	1	1		
48	INSULATION (A) - UP		458667-01	1	1	1		

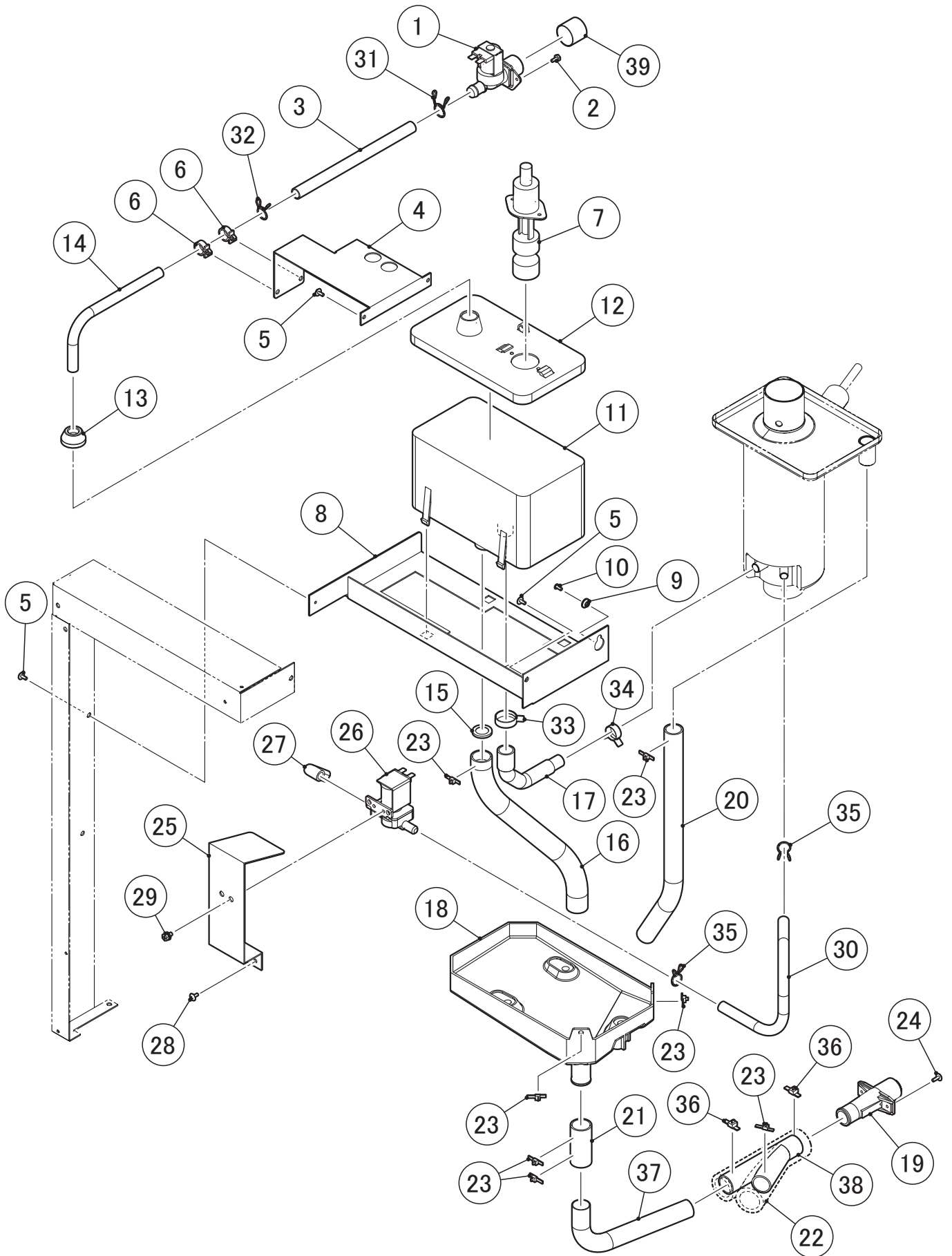


MODEL: **FM-120KE-50-HC**
FM-120KE-50-HCN

TITLE: **B. REFRIGERATION CIRCUIT**

INDEX NO.	DESCRIPTION	MATERIAL OR MODEL NUMBER	PART NUMBER	REQ'D NUMBER				
				F-1 G-2	H-0	H-1 and later		
L	CONDENSER ASSY		261567A01	1	1	1		
M	FAN MOTOR ASSY		3Y5886A01	1	1	1		
1	BASE		270165G01	1	1	1		
2	COMPRESSOR	DLE5.7CN	P04175-01	1	1	1		
3	STARTING CAPACITOR	117U5015	450898-01	1	1	1		
4	CORD RELIEF	CM ACCESSORIES	4A3264-01	1	1	1		
5	COVER	CM ACCESSORIES	P04178-01	1	1	1		
6	GROMMET		450897-01	4	4	4		
7	WASHER CUSHION		P02793-01	3	3	3		
8	STEEL PIN		452255-01	3	3	3		
9	CLIP		452256-01	3	3	3		
10	STARTING RELAY	117U7015	P04177-01	1	1	1		
11	COPPER TUBE(A) - HIGH SIDE		269888M01	1	1	1		
12	TEE		420041-03	1	1	1		
13	DRIER		P00026-01	1	1	-		
			P04629-01	-	-	1		
14	TIE	RT30SSF5	457167-01	1	1	1		
15	PRESSURE SWITCH		459863-08	1	1	1		
16	HEAT EXCHANGER		269889G01	1	1	-		
			272880G01	-	-	1		
17	REDUCER	9.52 x 8	421904-17	1	1	1		
18	PROCESS TUBE - LOW SIDE		468444-01	1	1	1		
19	INSULATION TUBE		H71030360	1	1	1		
20	TIE	CV-100	7920-0028	2	2	2		
21	TIE	CV-150	7920-0003	11	11	11		
23	INSULATION TUBE		H71323130	3	3	3		
24	INSULATION TUBE		H71323B13	1	1	1		
26	INSULATION TUBE		H71020390	1	1	1		
27	NYLON TIE		7920-0010	1	1	1		
28	LOCKRING STOPPER		P01677-01	1	1	1		





MODEL: **FM-120KE-50-HC**
FM-120KE-50-HCN

TITLE: **D. WATER CIRCUIT**

INDEX NO.	DESCRIPTION	MATERIAL OR MODEL NUMBER	PART NUMBER	REQ'D NUMBER				
				F-1 G-2	H-0	H-1 J-0	J-1 and later	
1	WATER VALVE		452993-01	1	1	1	1	
2	HEX HEAD BOLT		FBH0408S0	2	2	2	2	
3	SILICONE HOSE		4Y6912R01	1	1	1	-	
			4Y6912R12	-	-	-	1	
4	PIPE BRACKET		476456M01	1	1	1	-	
			388831M01	-	-	-	1	
5	TRUSS HEAD MACHINE SCREW		FST0408F0	4	4	4	4	
6	CLAMP		428644-03	2	2	2	2	
7	FLOAT SWITCH		458279-01	1	1	1	1	
8	RESERVIOR BRACKET		362979-01	1	1	1	1	
9	TAPER COLLAR		4H0171-01	1	1	1	1	
10	RIVET	SSD43BS	7170-0003	1	1	1	1	
11	RESERVOIR		232626-01	1	1	1	1	
12	COVER - RESERVOIR		232627-01	1	1	1	1	
13	COVER - RESERVOIR INLET		415094-01	1	1	1	1	
14	WATER SUPPLY PIPE (A)		476457M01	1	1	1	-	
			484948M01	-	-	-	1	
15	PACKING - FILTER		4X1497G01	1	1	1	1	
16	PVC Hose		HD2226300	1	1	1	1	
17	HOSE A		458308-01	1	1	1	1	
18	DRAIN PAN		261640P01	1	1	1	1	
19	DRAIN PIPE		321035-01	1	1	1	1	
20	PVC Hose		HD1922340	1	1	1	1	
21	PVC Hose		HD2226055	1	1	1	1	
22	INSULATION TUBE		H72636B18	1	1	1	1	
23	TIE	CV-150	7920-0003	7	7	7	7	
24	TRUSS HEAD TAPPING SCREW T2		FT20410S0	2	2	2	2	
25	BRACKET/WV		476458M01	1	1	1	1	
26	WATER VALVE		468655-01	1	1	1	1	
27	DRAIN PIPE		460263-01	1	1	1	1	
28	TRUSS HEAD MACHINE SCREW		FST0408S0	2	2	2	2	

