



MODULAR CUBER

**IM-240NE-HC
IM-240NE-HC-23
IM-240NE-HC-21**

PARTS LIST

[HE]

M070, M070-D001,D002

G-0 APR. 2017
J-1 JUL. 2019

List of Specifications

IM-240NE-HC	M070	Standard
IM-240NE-HC-23	M070-D001	23mm ICE of IM-240NE-HC
IM-240NE-HC-21	M070-D002	21mm ICE of IM-240NE-HC

Auxiliary Codes

Auxiliary Code Breakdown

The auxiliary code is the first two characters in the serial number. The first character indicates the year. Years progress or regress in alphabetical order. The series runs from "A" through "V" and the letters "I" and "O" are skipped. The second character indicates significant part changes within a year. Base is "0" and this number advances for each change. In cases where there is a letter in parentheses, this designates the month. This is the last character in the serial number. The series runs from "(A)" through "(M)" and the letter "(I)" is skipped. This designation is only included when identifying a parts change within an auxiliary code.

Note About Ordering Parts

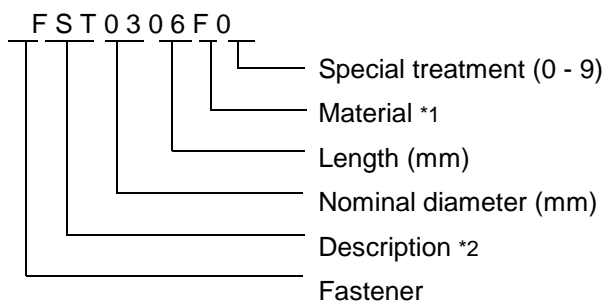
Most assemblies cannot be ordered as complete units; parts in the assemblies generally must be ordered separately.

MARKS LOCATED UNDER THE AUXILIARY CODE

- = Part deleted.

FASTENER PART NUMBER

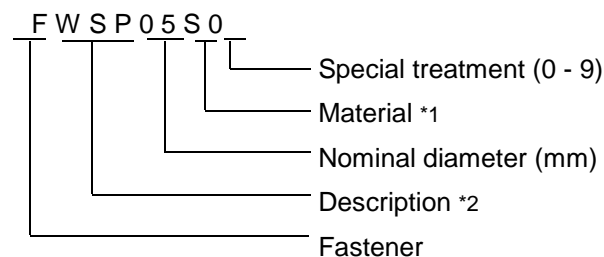
SCREWS



*1

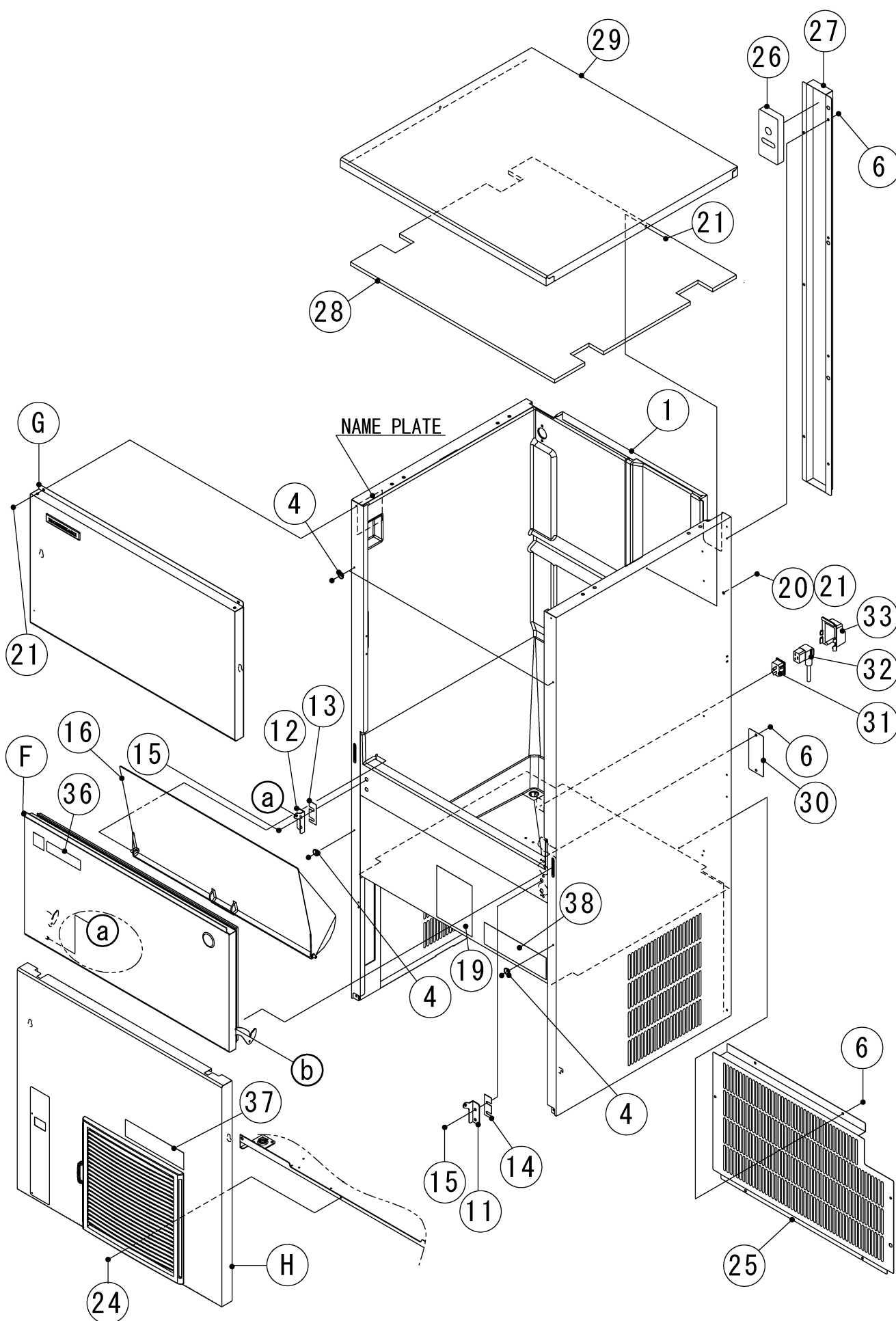
- F: Steel
- S: Austenitic stainless steel
- M: Martensitic stainless steel
- B: Copper alloy
- P: Polycarbonate
- N: Polyamide
- V: PVC
- A: ABS
- X: Polyacetal
- L: Aluminum

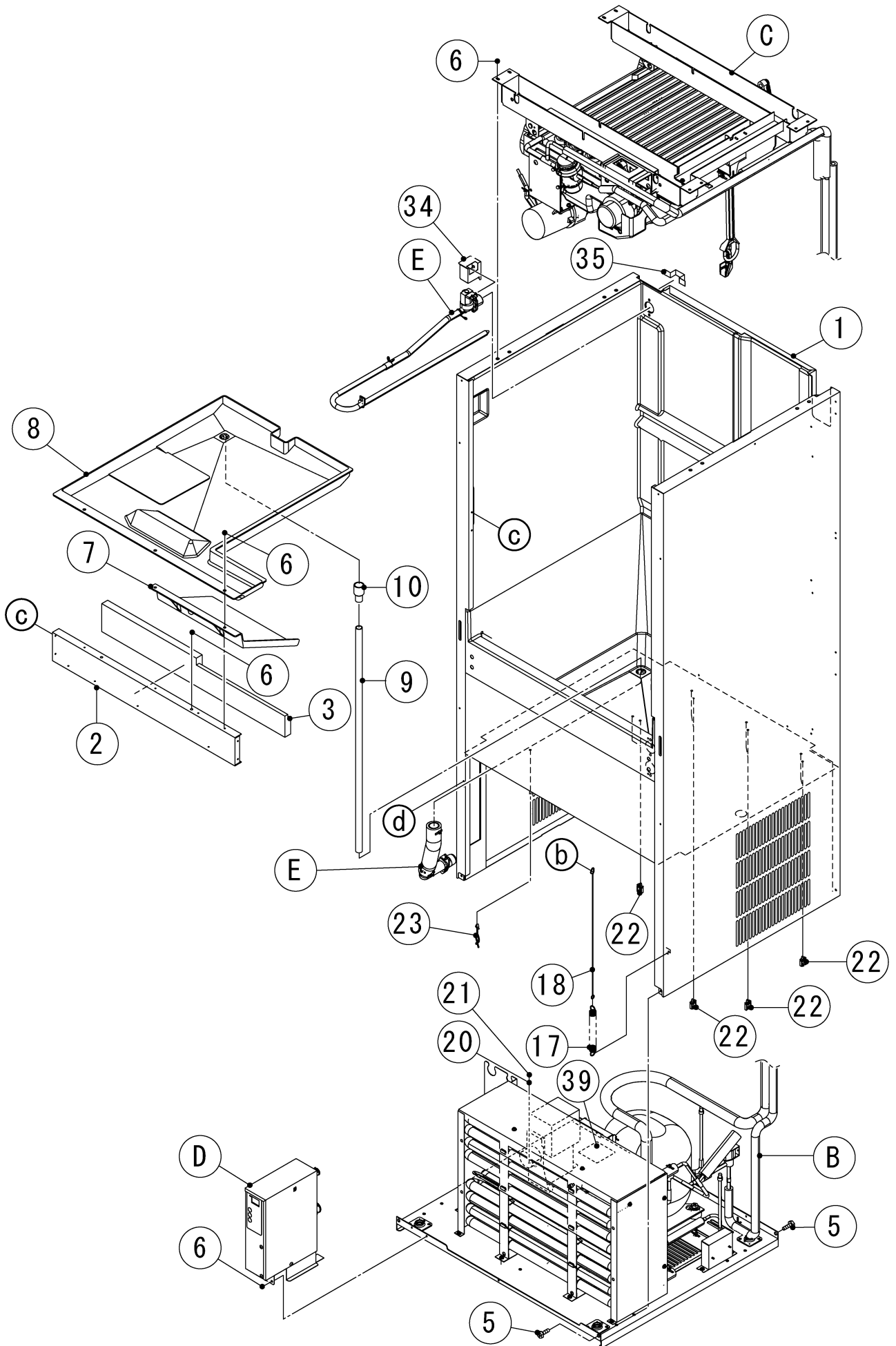
NUTS & WASHERS



*2

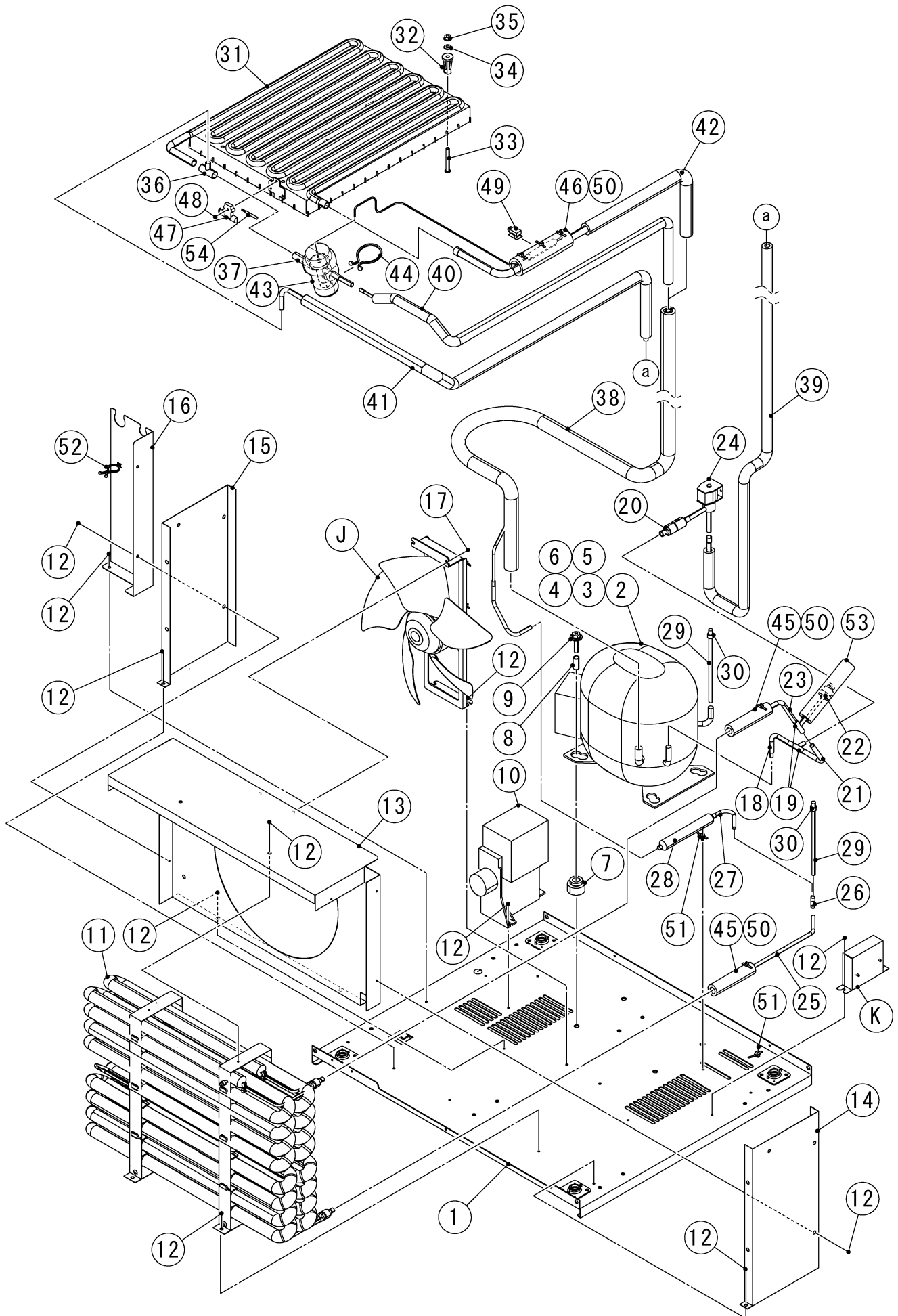
- First letter
- S: Machine screw
- T: Tapping screw
- M: Wood screw
- B: Bolt
- W: Washer
- N: Nut





HE

MODEL: IM-240NE-HC				TITLE: A. ICE CUBER ASSY				
INDEX NO.	DESCRIPTION	MATERIAL OR MODEL NUMBER	PART NUMBER	REQ'D NUMBER				
				G-0 J-0	J-1			
B	REFRIGERATION ASSY		1H5906A01	1	1			
C	MECHANISM ASSY		1H4762A01	1	1			
D	CONTROL BOX ASSY		2X3054A01	1	-			
			2X3054A02	-	1			
E	WATER CIRCUIT ASSY		2X0293A01	1	1			
F	DOOR ASSY		3Y5436A01	1	1			
G	FRONT COVER UPPER ASSY		3Y5438A01	1	1			
H	FRONT COVER LOWER ASSY		2X3052A01	1	1			
R	ACCESSORIES			1	1			
1	BODY		1H4759G01	1	1			
2	FRONT FRAME		3X9103-01	1	1			
3	INSULATION-FRONT FRAME		4Y6991P01	1	1			
4	TAPER COLLAR		4H0171-01	4	4			
5	TAPPING SCREW - HEX		442040-01	4	4			
6	FLANGE BOLT (C-TITE)		FTR0408M0	30	30			
7	ICE GUIDE G		4Y7002G01	1	1			
8	DRAIN PAN		3Y5434G01	1	1			
9	DRAIN PIPE		4X7117-02	1	1			
10	DRAIN TUBE		4H2585-01	1	1			
11	HINGE (RIGHT)		4H2583-01	1	1			
12	HINGE (LEFT)		4H2584-01	1	1			
13	HINGE SPACER (A)		4H0605-01	1	1			
14	HINGE SPACER (B)		4H0605-02	1	1			
15	HEX HEAD BOLT (SPRING WASHER AND FLAT WASHER)		FBK0620S0	4	4			
16	SLOPE		3X4854G01	1	1			
17	SPRING		4H0823-01	1	1			
18	HOOK		4H2685-03	1	1			
19	WIRING LABEL		377490L01	1	1			
20	SPRING WASHER		FWSP04S0	3	3			
21	TRUSS HEAD SCREW		FST0408S0	7	7			
22	CLAMP		P04381-01	8	8			
23	CLAMP		427902-06	1	1			
24	S-TITE TRUSS HEAD SCREW		FTS0408M0	1	1			
25	REAR PANEL		2X0296M01	1	1			
26	INSULATION-PIPE		4Y2507-01	1	1			
27	COVER-PIPE		390186M01	1	1			



HE

MODEL: IM-240NE-HC				TITLE: B.REFRIGERATION ASSY				
INDEX NO.	DESCRIPTION	MATERIAL OR MODEL NUMBER	PART NUMBER	REQ'D NUMBER				
				G-0 J-0	J-1			
J	FAN MOTOR ASSY		3Y5078A01	1	1			
K	GAS SENSOR ASSY		480188A01	1	1			
1	BASE		2X3051G01	1	1			
2	COMPRESSOR		P02809-01	1	1			
3	PROTECTOR		P02812-01	1	1			
4	PROTECTOR RETAINER		P02815-01	1	1			
5	SCREW		P00840-01	1	1			
6	TERMINAL COVER		P02814-01	1	1			
7	GROMMET		P00846-01	4	4			
8	SPACER		P00847-01	4	4			
9	BOLT		436206-03	4	4			
10	BOX WITH ELECTRICAL COMPONENTS		P02841-01	1	1			
11	CONDENSER ASSY		2X3053G01	1	1			
12	FLANGE BOLT (C-TITE)		FTR0408M0	19	19			
13	SHROUD		263619M01	1	1			
14	SHROUD (R) - SIDE		263620M01	1	1			
15	SHROUD (L) - SIDE		263620M02	1	1			
16	BARRIER		3Y9723M01	1	1			
17	HEX HEAD BOLT (SPRING WASHER AND FLAT WASHER)		FBK0510S0	4	4			
18	COPPER TUBE A - D		477813M01	1	1			
19	TEE		420041-02	2	2			
20	STRAINER		P00812-01	1	1			
21	COPPER TUBE B		4Y9543M01	1	1			
22	PRESSURE SWITCH		459863-08	1	1			
23	COPPER TUBE C		4Y9544M01	1	1			
24	HOT GAS VALVE		P04242-01	1	1			
25	COPPER TUBE A1 - COND		4Y9772M01	1	1			
26	TEE - 6.4		417394-01	1	1			
27	COPPER TUBE A2 - COND		4Y9771M01	1	1			
28	DRIER		462813-01	1	1			
29	COPPER TUBE C - COND		477814M01	2	2			
30	LOCKRING STOPPER		P01677-01	2	2			
31	EVAPORATOR	IM-240NE-HC	2X2459G01	1	1			
		IM-240NE-HC-23	2X2594G01	1	1			
		IM-240NE-HC-21	2X2532G01	1	1			

