



CUBELET ICE DISPENSER

DCM-120KE(-P)-HC

PARTS LIST

[GENERAL]

L032, L032-C101, L033, L033-C101
L032-C301, L033-C301

J-1 JAN. 2019
K-1 JAN. 2020
K-2 DEC. 2021

List of Specifications

MODEL	MODEL NUMBER	DESTINATION	SPEC
DCM-120KE-HC	L032	CONTINENTAL	50Hz
	L032-C101	UK	50Hz
	L032-C301	CHINA	50Hz
DCM-120KE-P-HC	L033	CONTINENTAL	50Hz
	L033-C101	UK	50Hz
	L033-C301	CHINA	50Hz

AUXILIARY CODE

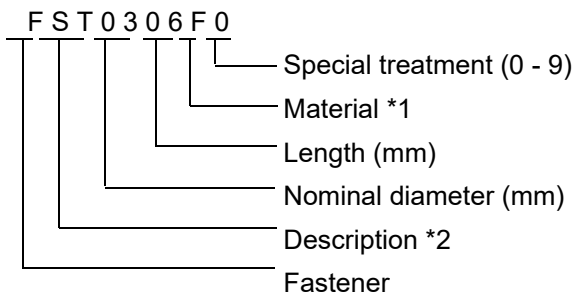
U - 1

The auxiliary code is the first two characters in the serial number. The first character indicates the production year. Years progress or regress in alphabetical order. The series of letters and skipped letters depend on UL listing, production, and model. See the auxiliary code(s) and corresponding year(s) on the front cover.

The second character indicates significant part changes within the same year. Base is "1" and this number advances for each change. If there is no significant part change at the turn of the year, this number starts from "0."

FASTENER PART NUMBER

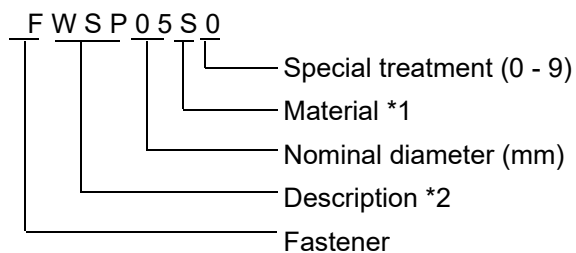
SCREWS



*₁ Material

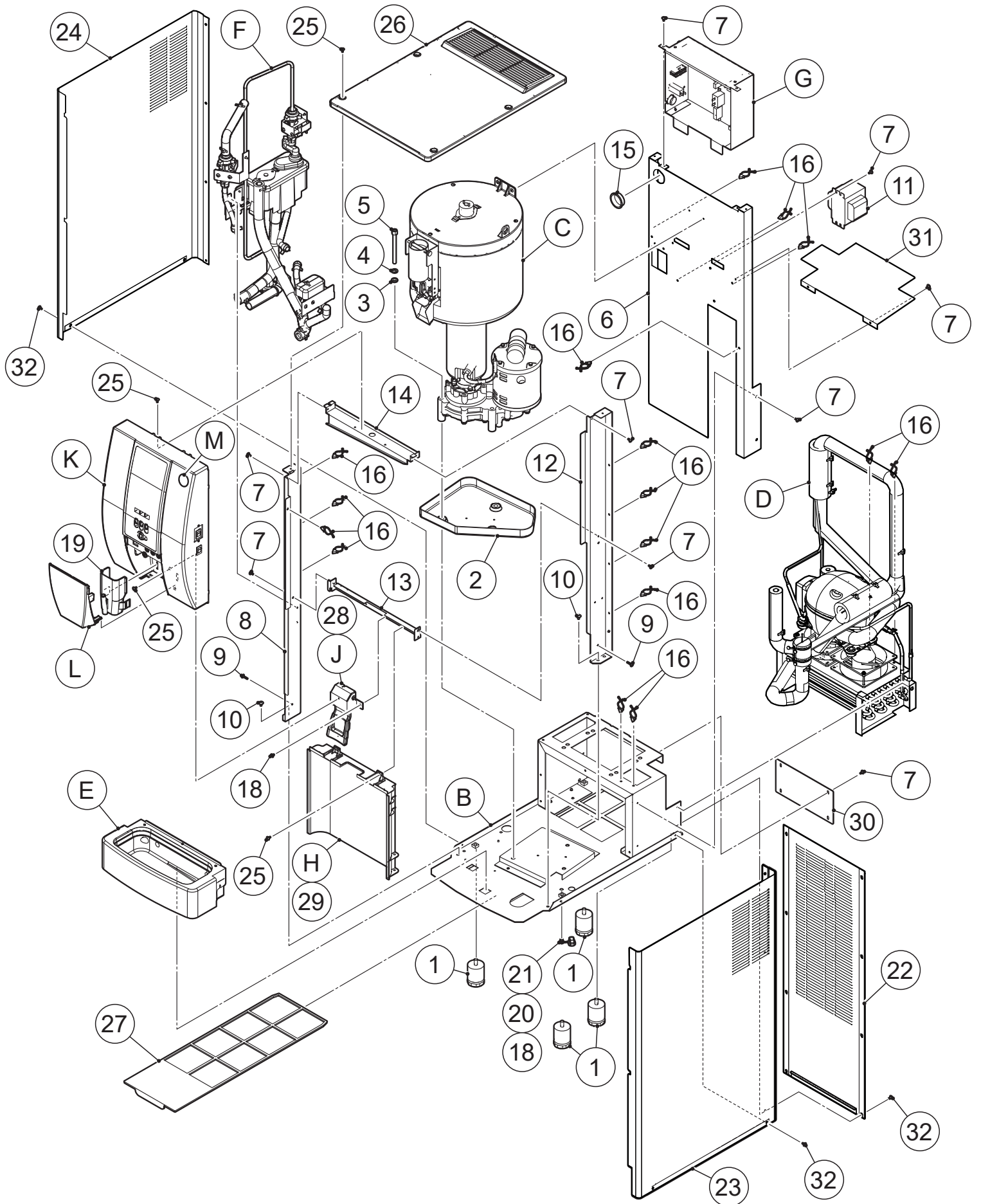
F: Steel
S: Austenitic stainless steel
M: Martensitic stainless steel
B: Copper alloy
P: Polycarbonate
N: Polyamide
V: PVC
A: ABS
X: Polyacetal
L: Aluminum

NUTS & WASHERS



*₂ Description

First letter
S: Machine screw
T: Tapping screw
M: Wood screw
B: Bolt
W: Washer
N: Nut

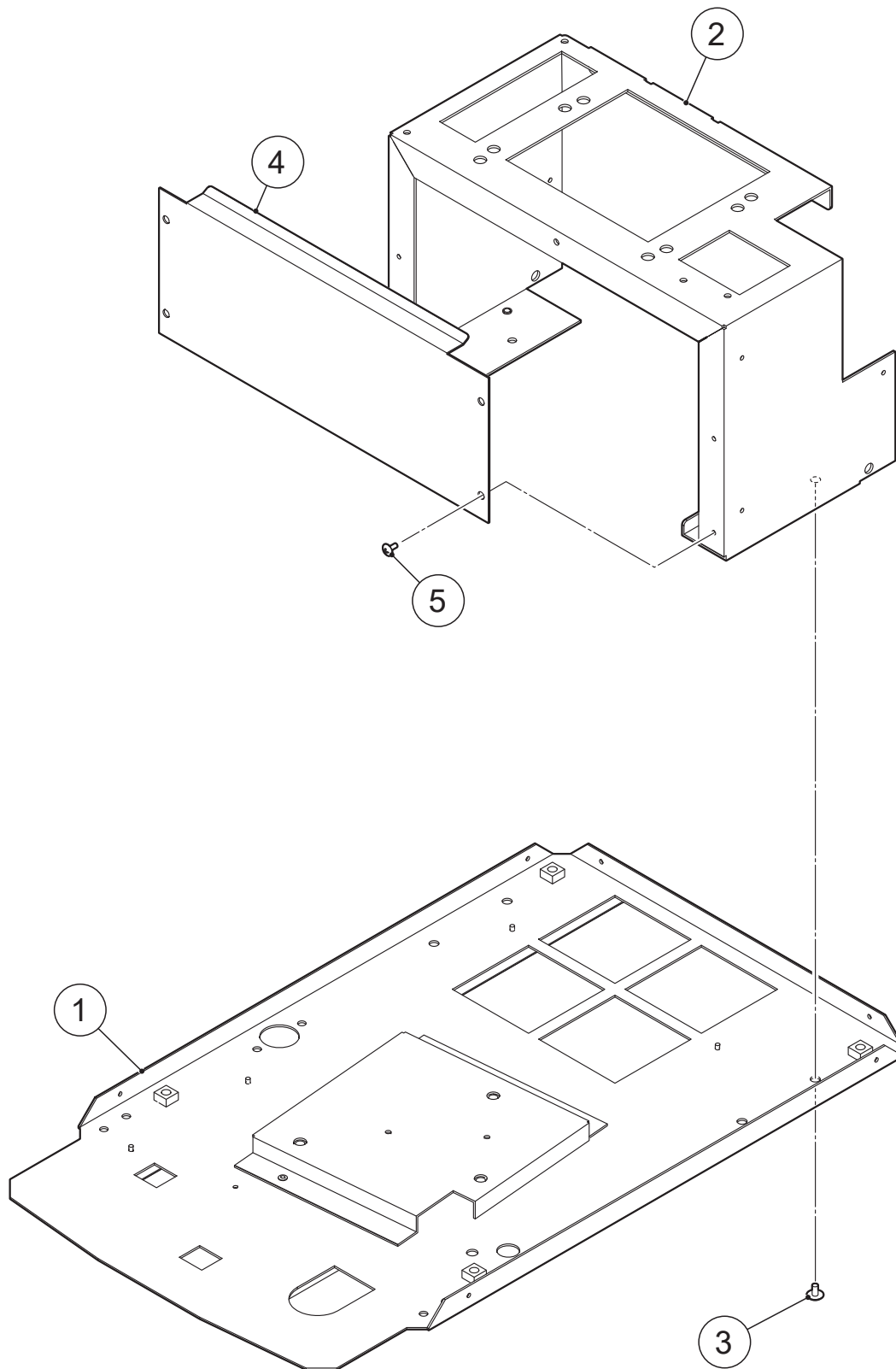


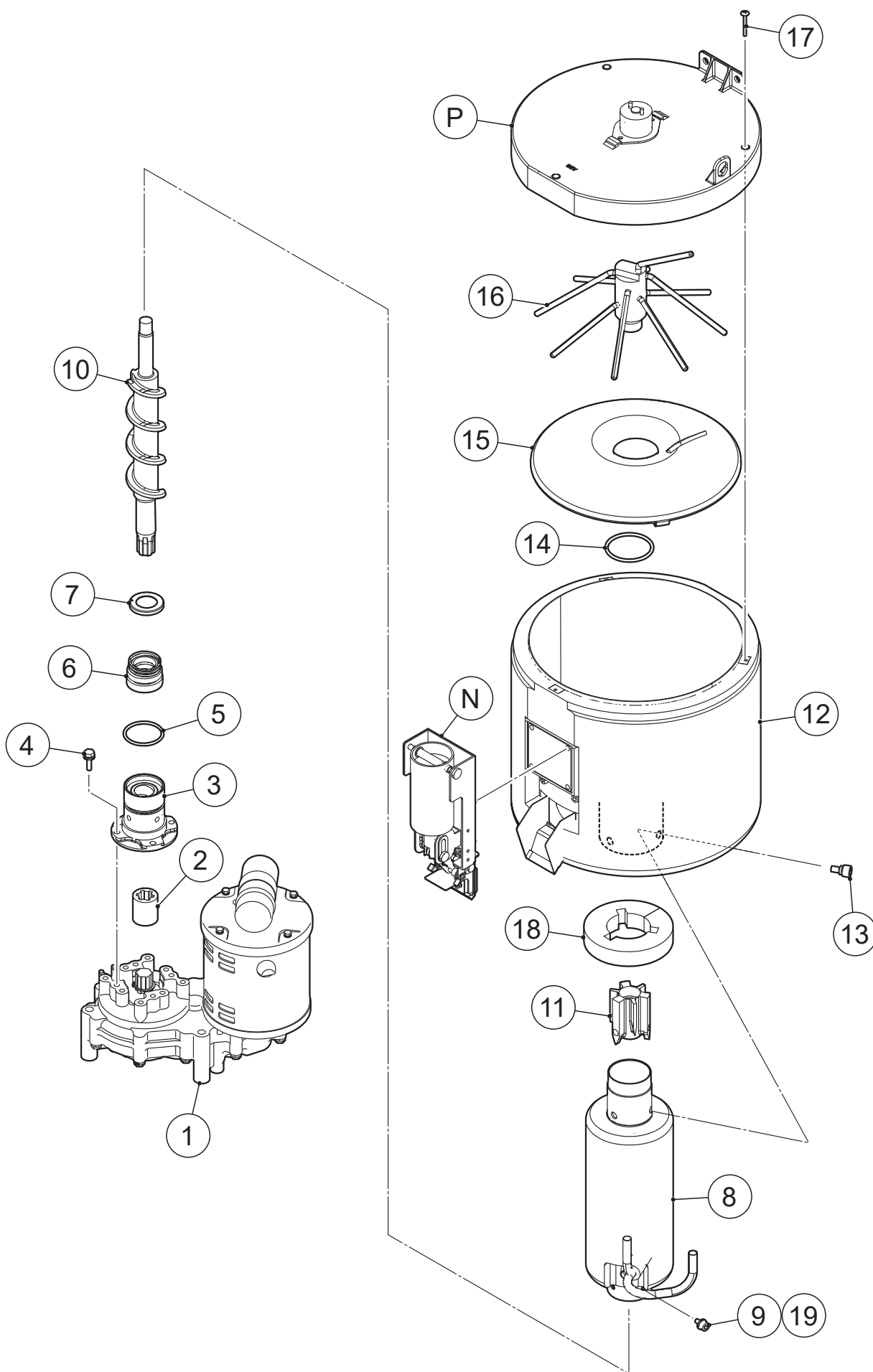
MODEL: **DCM-120KE(-P)-HC**TITLE: **A. ICE DISPENSER ASSY**

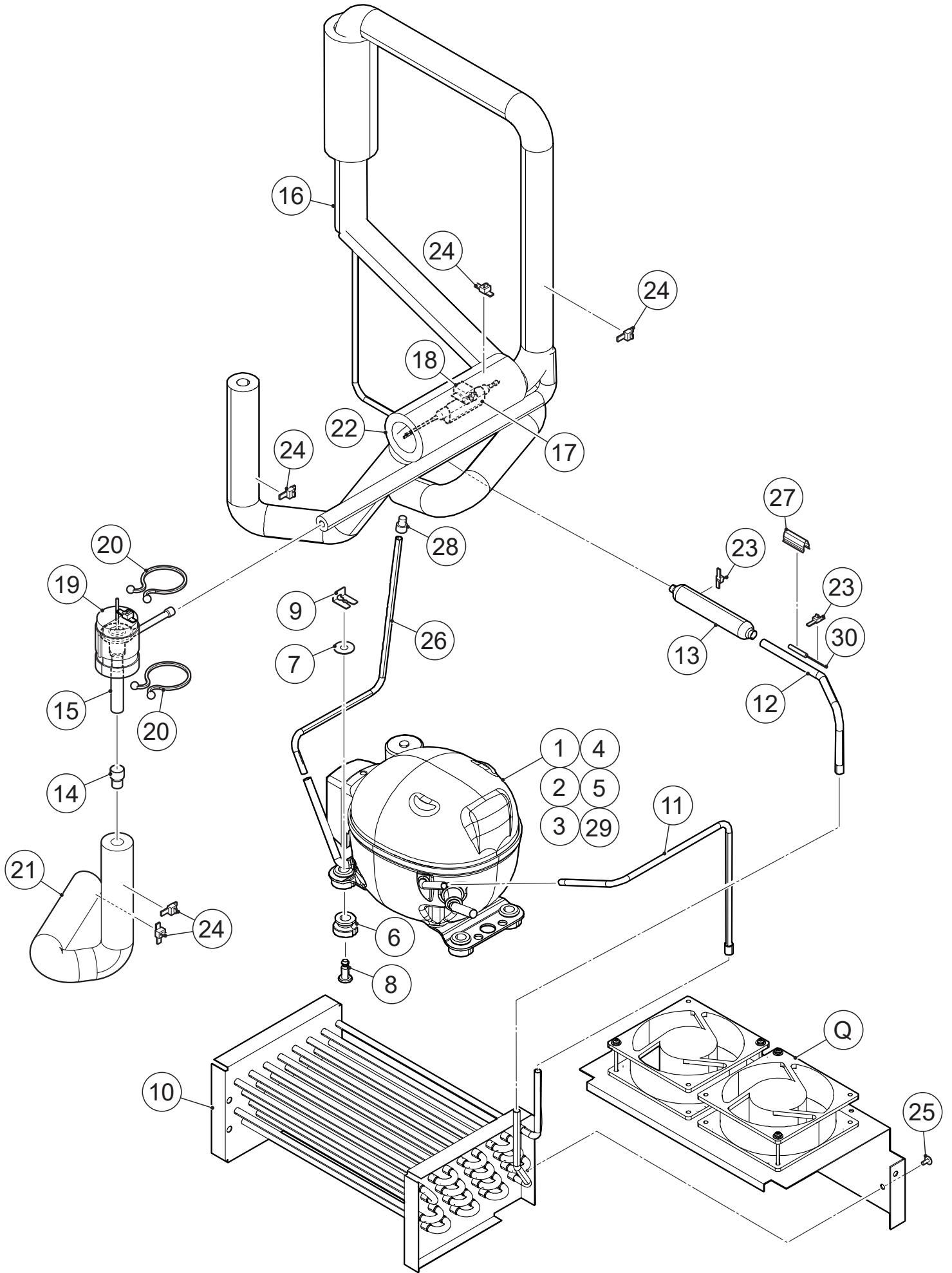
INDEX NO.	DESCRIPTION	MATERIAL OR MODEL NUMBER	PART NUMBER	REQ'D NUMBER				
				J-1 and later				
B	BASE ASSY		379015A01	1				
C	ICE MAKING UNIT		262210A01	1				
D	REFRIGERATION CIECUIT		127826A01	1				
E	DRAIN PANEL ASSY		374966A01	1				
F	WATER CIRCUIT		121894A01	1				
G	CONTROL BOX ASSY	L032, L032-C101	262214A01	1				
		L033, L033-C101	262214A02	1				
H	FRONT PANEL ASSY - 115LO	L032, L032-C101	374967A01	1				
J	LEVER - UNIT	L032, L032-C101	262217A02	1				
K	FRONT PANEL (UP)		121898A01	1				
L	FRONT COVER		374962A01	1				
M	LABEL LOCATION	L032, L032-C101	127836A01	1				
		L033, L033-C101	127836A02	1				
T	ACCESSORIES	L032, L032-C101 L033, L033-C101	A02554-01	1				
		L032-C301, L033-C301	A02554005	1				
1	LEG		458051-02	4				
2	DRAIN PAN - GM		259846P01	1				
3	SEAL WASHER		458299-01	3				
4	SPRING WASHER		FWSP08S0	3				
5	SCREW - M8		458298-02	3				
6	PLATE		127831M01	1				
7	TRUSS HEAD SCREW		FST0408F0	21				
8	FRAME (L)		264002M01	1				
9	TRUSS HEAD TAPPING SCREW T2		FT20416F0	2				
10	TRUSS HEAD SCREW		FST0508F0	4				
11	TRANSEFOMER		P02552-01	1				
12	FRAME (R)		264001M01	1				

MODEL: **DCM-120KE(-P)-HC**TITLE: **A. ICE DISPENSER ASSY**

INDEX NO.	DESCRIPTION	MATERIAL OR MODEL NUMBER	PART NUMBER	REQ'D NUMBER				
				J-1 and later				
13	CENTER FRAME		377811M01	1				
14	TOP FRAME		376455M01	1				
15	BUSHING		420470-06	1				
16	CLAMP		P05216-01	16				
18	PAN HEAD SCREW SW		FSK0408S0	3				
19	SPOUT		259891P01	1				
20	POWER CORD	L032, L033	P02697-01	1				
		L032-C101, L033-C101	P02698-01	1				
		L032-C301, L033-C301	P00193-01	1				
21	BUSHING		448949-01	1				
22	REAR PANEL		127748M01	1				
23	SIDE PANEL (R)		127750M01	1				
24	SIDE PANEL (L)		127751M01	1				
25	TRUSS HEAD SCREW P		FSG0408S0	9				
26	TOP PANEL - 115		121228P01	1				
27	AIR FILTER		341489G01	1				
28	BRACKET - BOTTON	L033, L033-C101	376725M01	1				
29	FRONT PANEL (LO1) - 115	L033, L033-C101	121230P02	1				
30	BACK PLATE		379018M01	1				
31	SEPARATOR		388875M01	1				
32	TRUSS HEAD SCREW		FST0408S0	12				

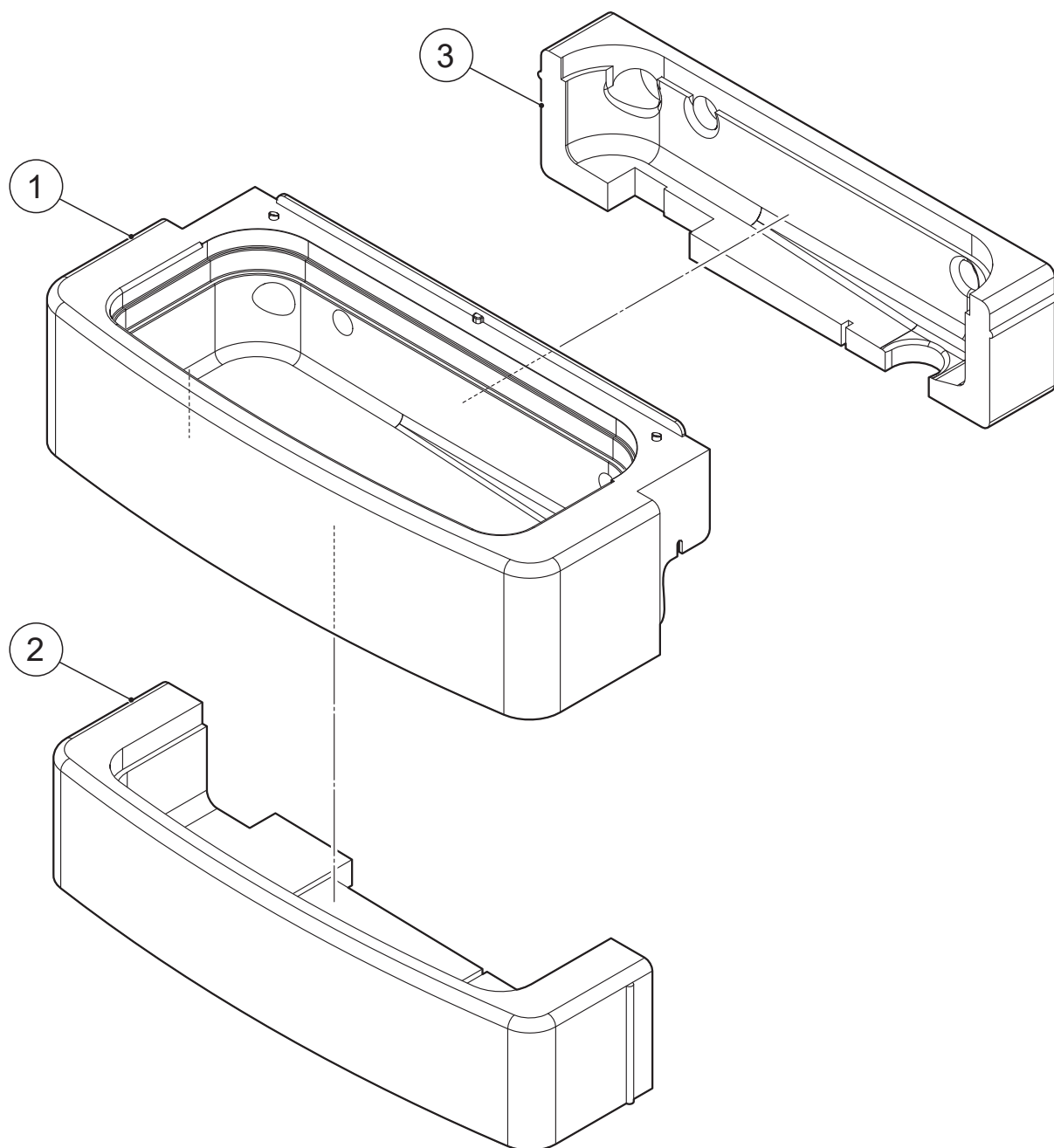


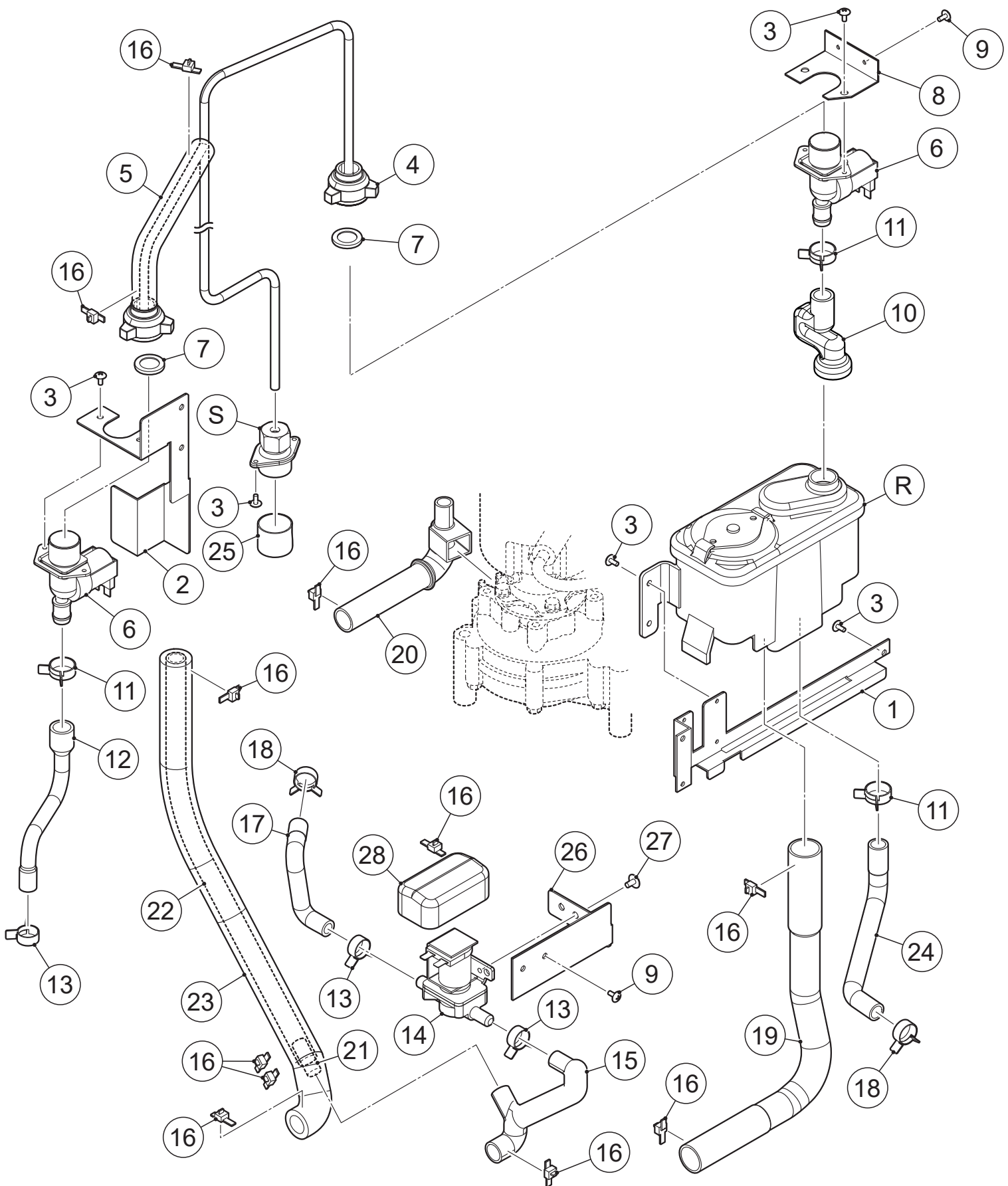


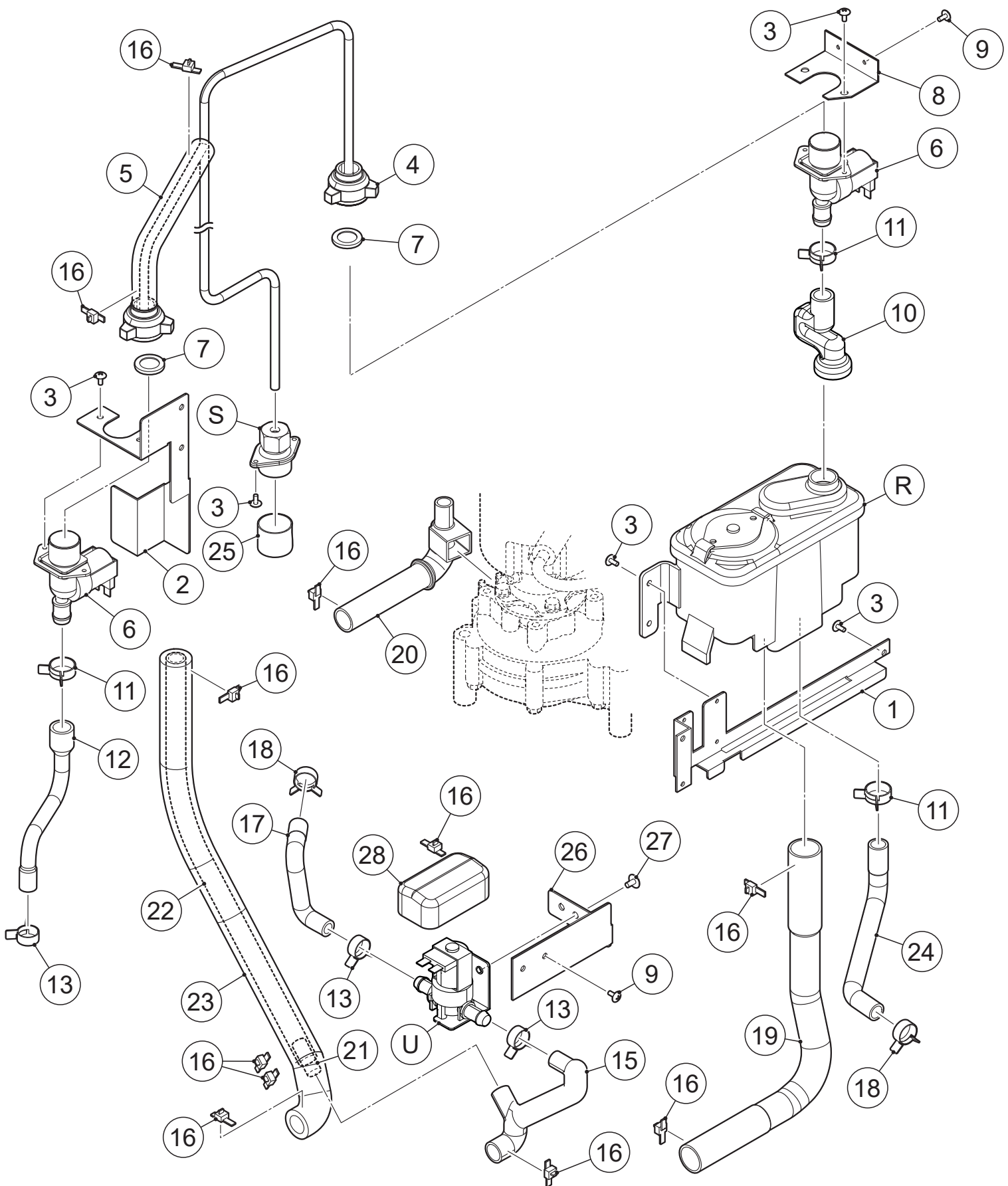


MODEL: **DCM-120KE(-P)-HC**TITLE: **D. REFRIGERATION CIRCUIT**

INDEX NO.	DESCRIPTION	MATERIAL OR MODEL NUMBER	PART NUMBER	REQ'D NUMBER				
				J-1 and later				
Q	FAN MOTOR ASSY		388981A01	1				
1	COMPRESSOR		P05022-01	1				
2	STARTING RELAY		P05025-01	1				
3	STARTING CAPACITOR		450898-01	1				
4	COVER		P04178-01	1				
5	CORD RELIEF		4A3264-01	1				
6	GROMMET		450897-01	4				
7	WASHER CUSHION		P02793-01	3				
8	STEEL PIN		452255-01	3				
9	CLIP		452256-01	3				
10	CONDENSER		P05011-01	1				
11	COPPER TUBE (A) - DISCHARGE		388874M01	1				
12	COPPER TUBE - LIQUID		482346M01	1				
13	DRIER		P04629-01	1				
14	REDUCER		421904-01	1				
15	EXPANSION VALVE		P04179-01	1				
16	HEAT EXCHANGER		127752G01	1				
17	HOLDER - EXPV		451267-01	1				
18	CLAMP		443461-01	1				
19	VALVE COVER		3Y3196P01	1				
20	CLAMP		P00752-01	2				
21	INSULATION TUBE		H71333B40	1				
22	INSULATION TUBE		H74262B15	2				
23	TIE		7920-0003	3				
24	NYLON TIE		7920-0011	8				
25	T2 TRUSS HEAD SCREW		FT20408F0	4				
26	COPPER TUBE (A) - ACCESS		485011M01	1				
27	THERMISTOR - HOLDER		458132-01	1				

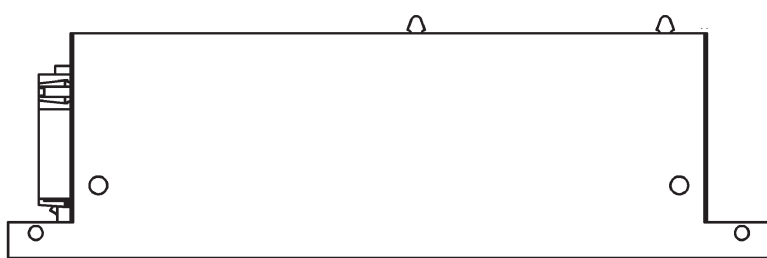




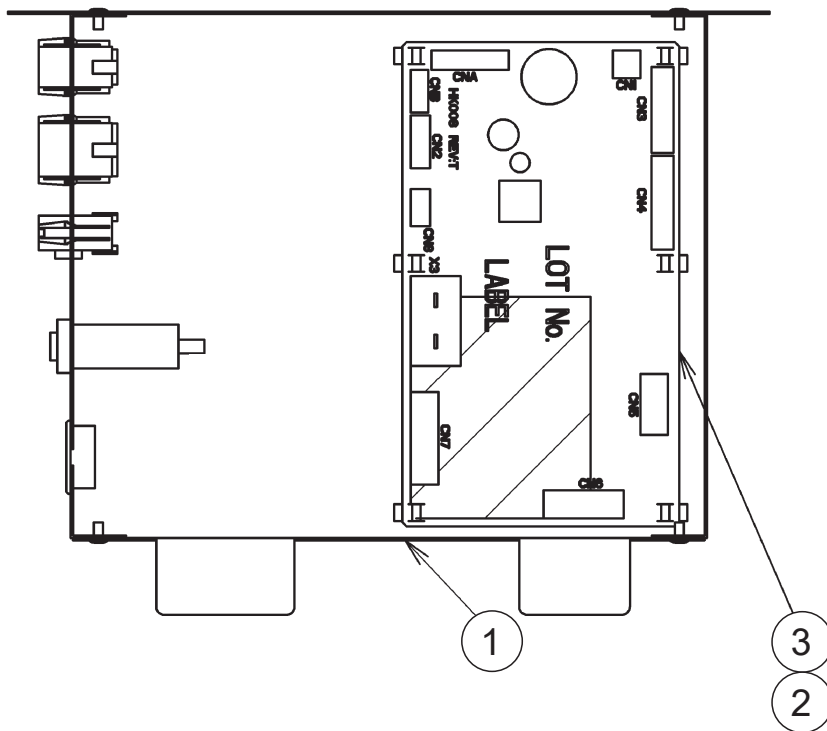
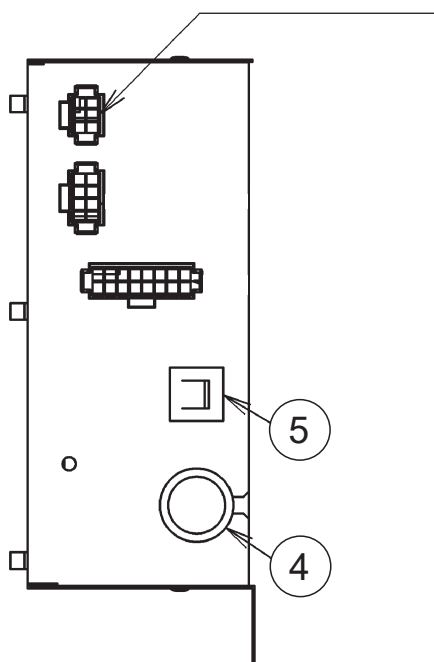


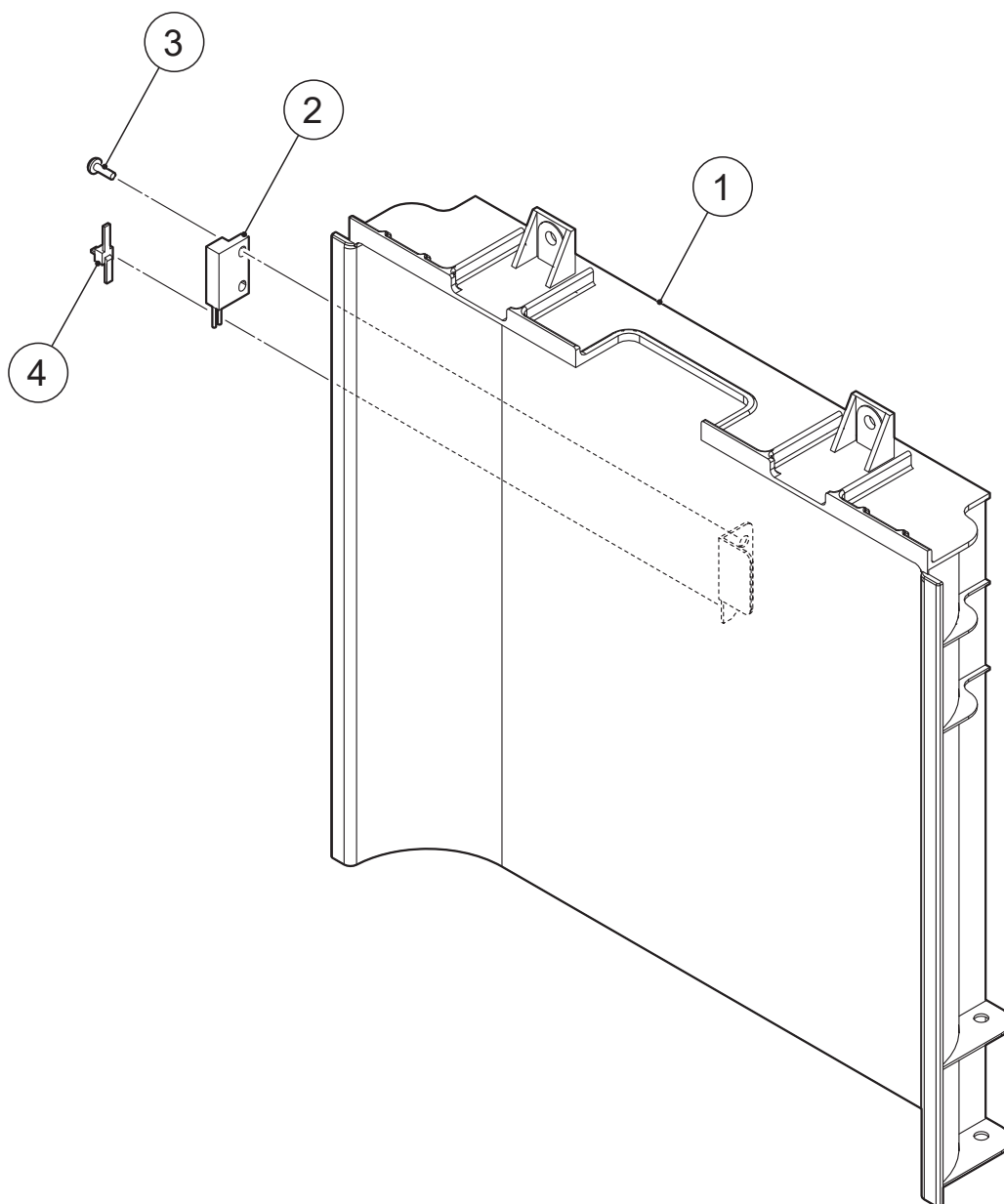
MODEL: **DCM-120KE(-P)-HC**TITLE: **F. WATER CIRCUIT**

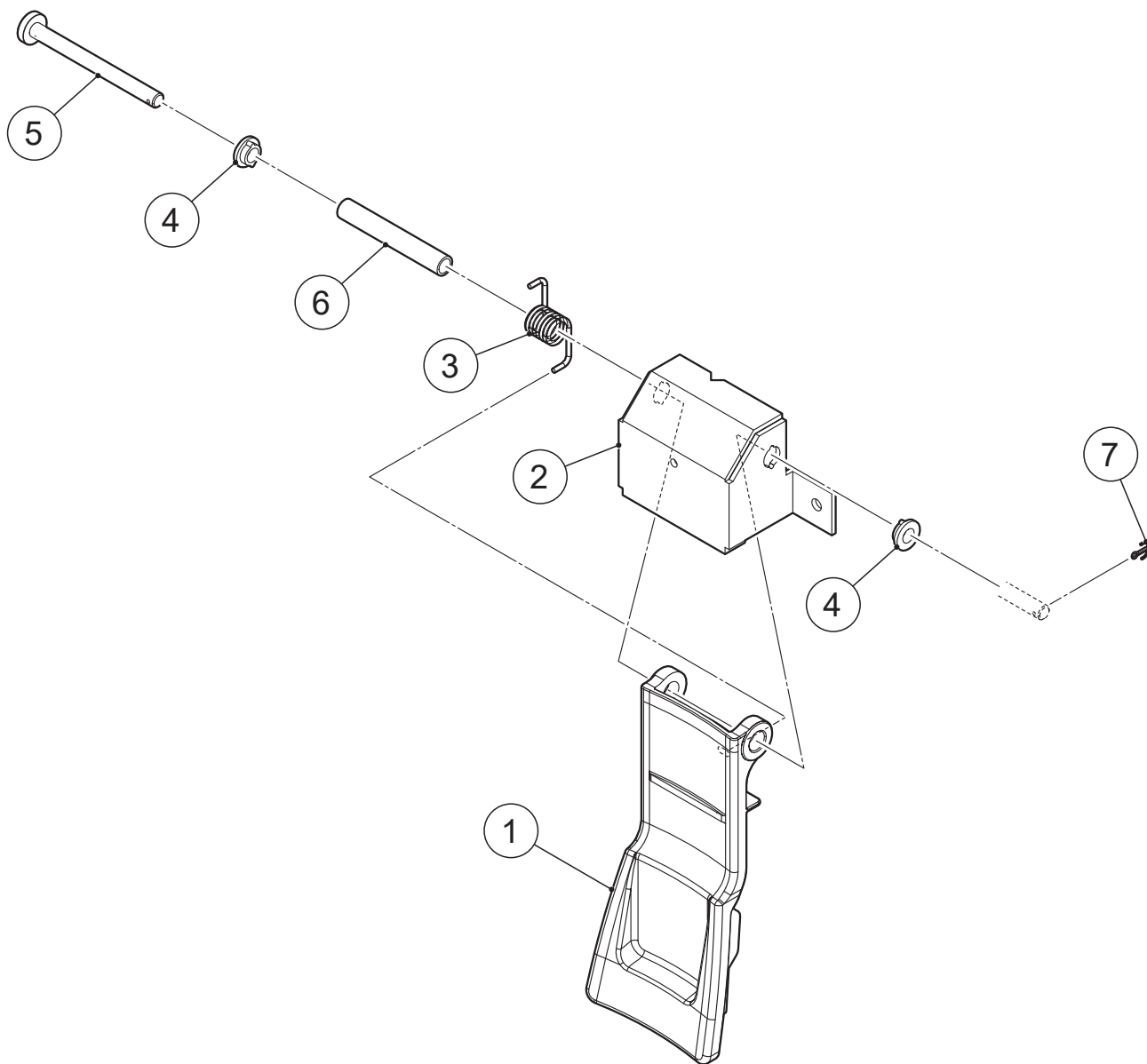
INDEX NO.	DESCRIPTION	MATERIAL OR MODEL NUMBER	PART NUMBER	REQ'D NUMBER				
				J-1 K-0	K-1 and later			
R	TANK ASSY		386275A01	1	1			
S	FITTING - WATER SUPPLY		376409A01	1	1			
U	WATER VALVE ASSY		486323A01	-	1			
1	RESERVOIR BRACKET		264207M01	1	1			
2	BRACKET(B) - WV		376449M01	1	1			
3	TRUSS HEAD SCREW		FST0408S0	12	12			
4	PIPE - WATER SUPPLY		376450G01	1	1			
5	INSULATION TUBE		H71020B20	1	1			
6	WATER VALVE		P05353-01	2	2			
7	PACKING - FILTER		480202G01	2	2			
8	BRACKET (A) - WV		478031M01	1	1			
9	TRUSS HEAD SCREW		FST0408F0	4	4			
10	HOSE - WATER SUPPLY		378371R01	1	1			
11	CLIP BAND		423866-05	3	3			
12	HOSE (B) - WATER SUPPLY		475485R01	1	1			
13	CLIP BAND		423866-01	3	3			
14	WATER VALVE		468655-01	1	-			
15	HOSE - WV OUTLET 2		379212R01	1	1			
16	NYLON TIE	CV-200	7920-0010	11	11			
17	HOSE(115) - EVA OUTLET		377148P01	1	1			
18	CLAMP		423866-04	2	2			
19	OVERFLOW HOSE - 115AD		383830G01	1	1			
20	HOSE 120 - GM DRAIN		376451R01	1	1			
21	CONNECTION PIPE		479221M01	1	1			
22	HOSE (R)		334235-13	1	1			
23	INSULATION TUBE		H71626550	1	1			
24	HOSE (115) - EVA INLET		374940R01	1	1			
25	CAP		417323-01	1	1			

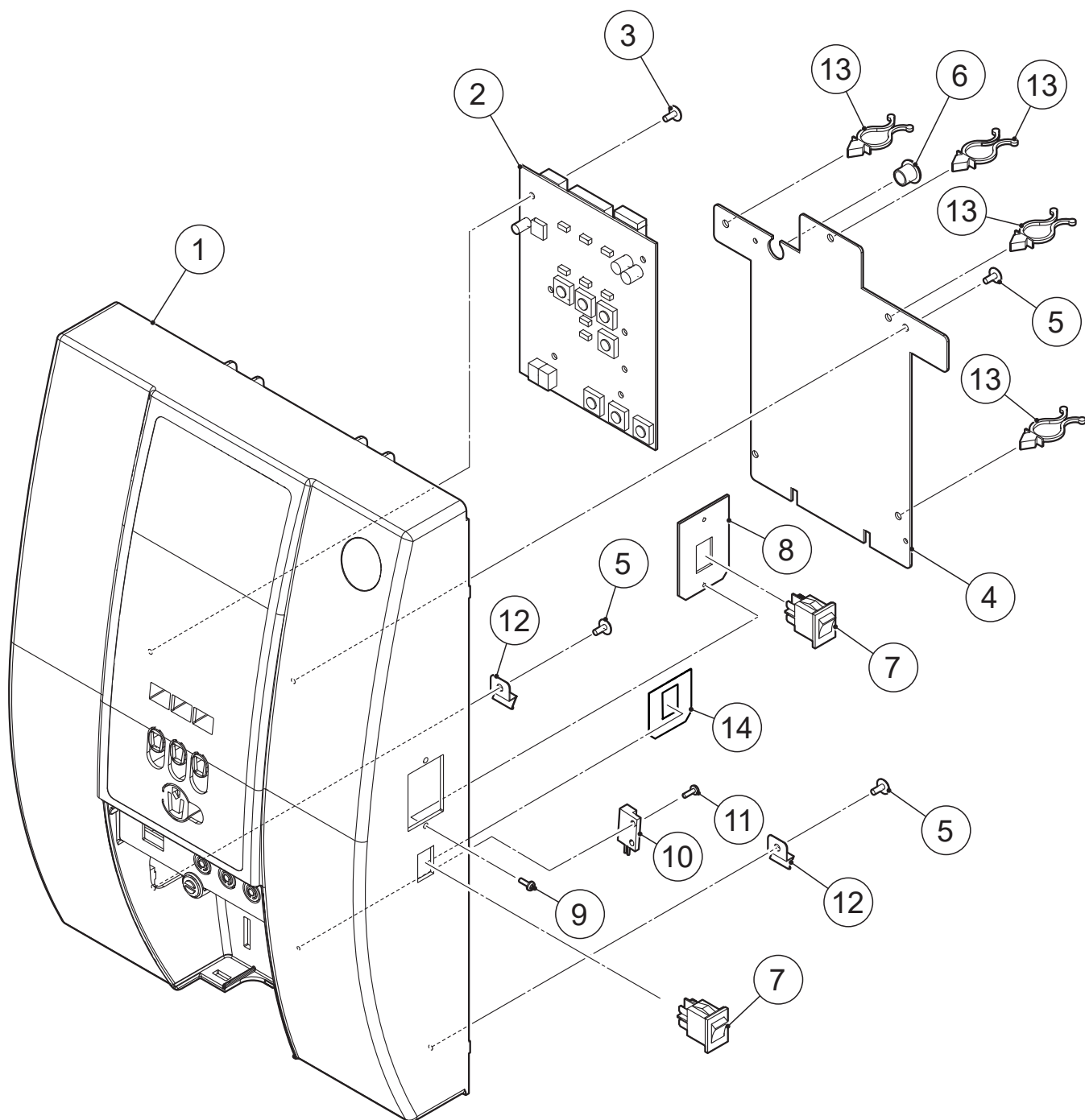


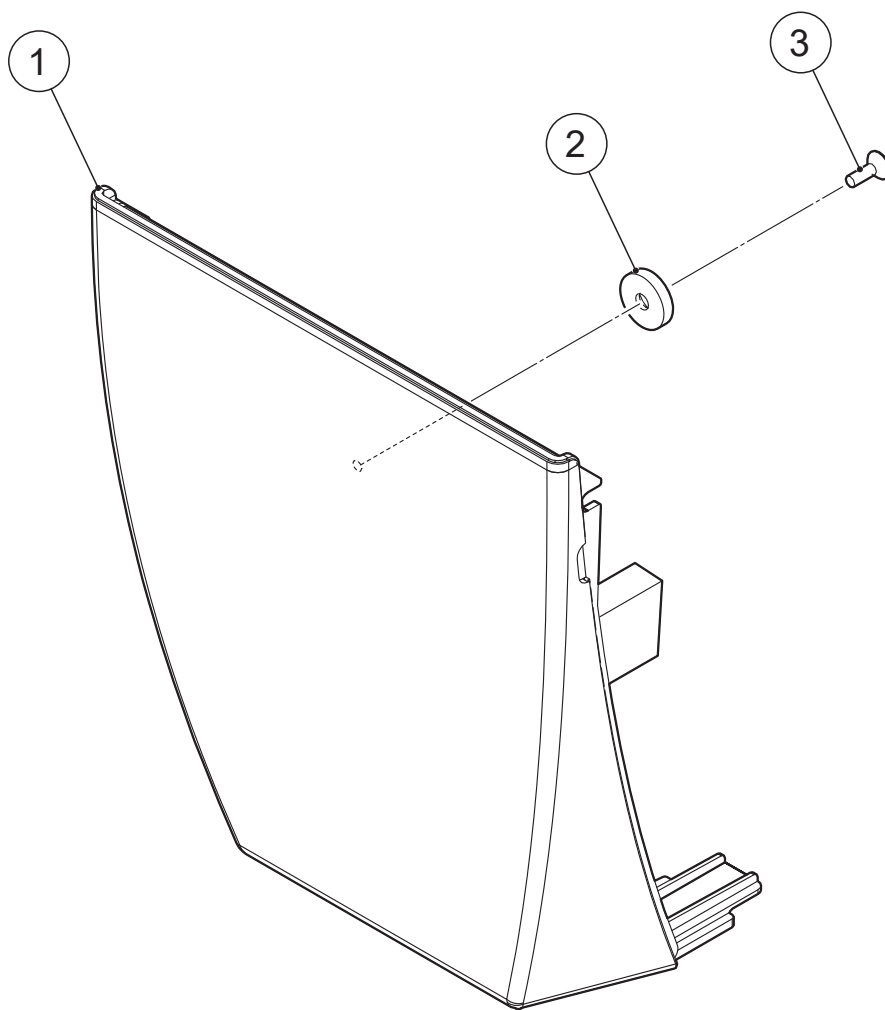
No.3 ACCESSORIES

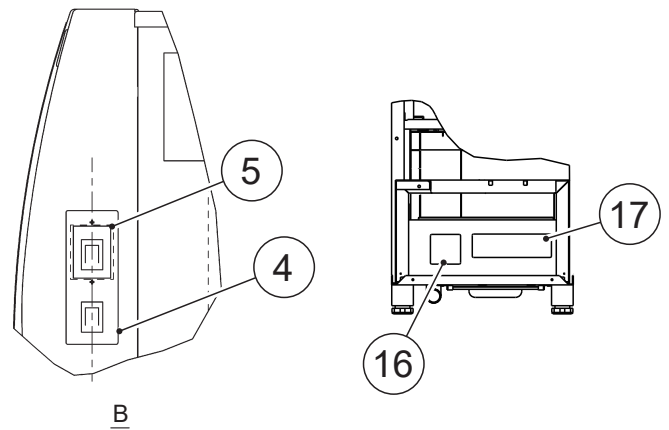
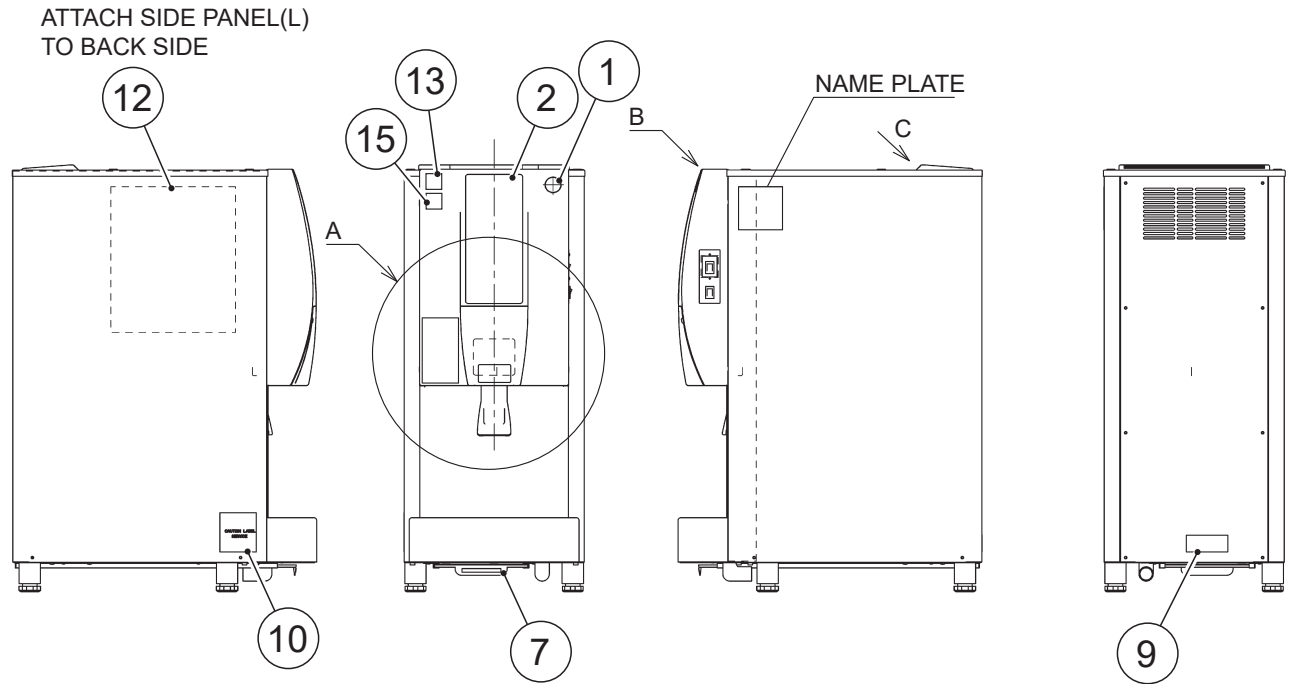
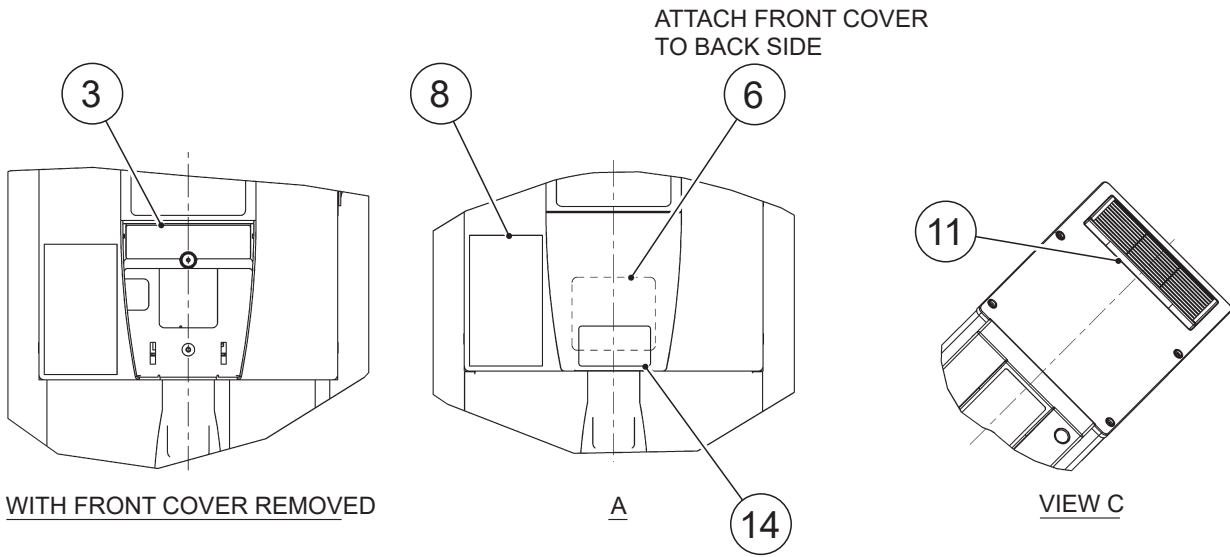


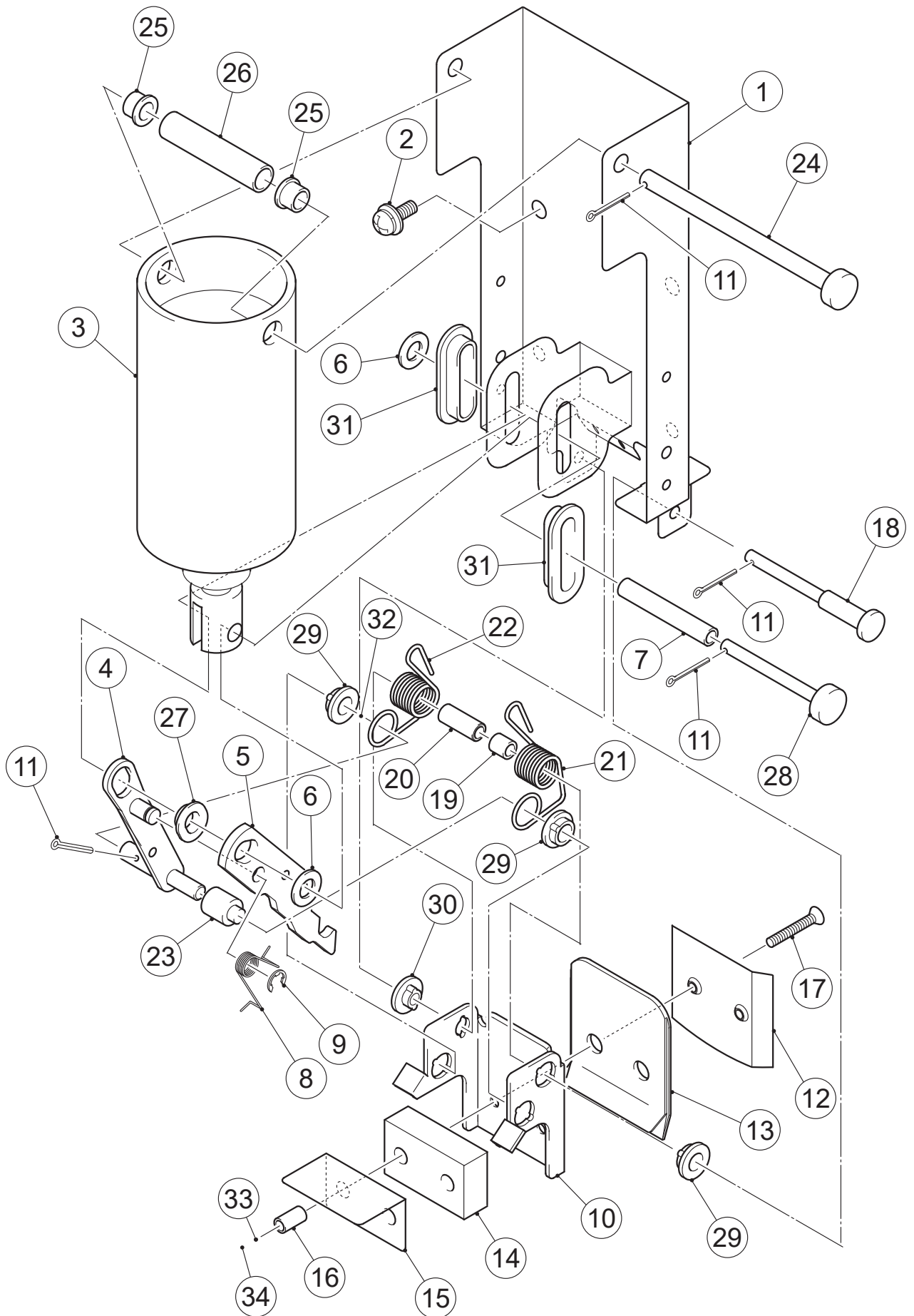












MODEL: **DCM-120KE(-P)-HC**TITLE: **N. SHUTTER ASSY**

INDEX NO.	DESCRIPTION	MATERIAL OR MODEL NUMBER	PART NUMBER	REQ'D NUMBER				
				J-1 and later				
1	BRACKET - SOLENOID		351479G01	1				
2	SCREW		434838-02	4				
3	SOLENOID		P02647-01	1				
4	SHAFT		462262G01	1				
5	HOOK - SHUTTER		438406-02	1				
6	SPACER		454943-01	2				
7	TUBE		451284-06	1				
8	SPRING		411532-01	1				
9	ERING		721S-0004	1				
10	STOPPER		351480-01	1				
11	SPLIT PIN		711SP1612	4				
12	SHUTTER PLATE (A1)		414756-01	1				
13	PLATE (B) - SHUTTER		466047-01	1				
14	CUSHION		419150-01	1				
15	PLATE (D) - SHUTTER		466063-01	1				
16	SHUTTER COLLAR (C)		411539-03	2				
17	SCREW		441581-01	2				
18	SHAFT (B)		462561-01	1				
19	TUBE		451284-05	1				
20	COLLAR		454942-01	1				
21	SPRING (R)		452502-01	1				
22	SPRING (L)		452503-01	1				
23	SHAFT (B2)		432520-02	1				
24	SHAFT - SOLENOID		462257-01	1				
25	BUSH		462558-02	2				
26	COLLAR - SOLENOID		462559-01	1				
27	SPACER (D)		461233-01	1				
28	SHAFT - PLUNGER		462258-01	1				
29	SPACER (A)		461230-01	3				

