



SELF-CONTAINED CUBER

PARTS LIST

[HE]

M066

M066-D001,D007,D008,D009,D010,D011,D012

M066-D200,D207,D208,D212,

E-1 SEP. 2015

G-1 NOV. 2017

J-1 JUL. 2019

J-2 SEP. 2019

K-1 OCT. 2020

L-1 DEC. 2021

IM-65NE-HC
IM-65NE-HC-25
IM-65NE-HC-H
IM-65NE-HC-S
IM-65NE-HC-LM
IM-65NE-HC-LM103
IM-65NE-HC-C
IM-65NE-HC-Q
IM-65NE-HC-SN
IM-65NE-HC-H-SN
IM-65NE-HC-S-SN
IM-65NE-HC-Q-SN

List of Specifications

IM-65NE-HC	M066	Standard
IM-65NE-HC-25	M066-D001	25mm ICE of IM-65NE-HC
IM-65NE-HC-H	M066-D007	HEART ICE of IM-65NE-HC
IM-65NE-HC-S	M066-D008	STAR ICE of IM-65NE-HC
IM-65NE-HC-LM	M066-D009	LM ICE of IM-65NE-HC
IM-65NE-HC-LM103	M066-D010	LM103 ICE of IM-65NE-HC
IM-65NE-HC-C	M066-D011	CYLINDER ICE of IM-65NE-HC
IM-65NE-HC-Q	M066-D012	BALL ICE of IM-65NE-HC
IM-65NE-HC-SN	M066-D200	Ti Evaporator
IM-65NE-HC-H-SN	M066-D207	HEART ICE of IM-65NE-HC Ti Evaporator
IM-65NE-HC-S-SN	M066-D208	STAR ICE of IM-65NE-HC Ti Evaporator
IM-65NE-HC-Q-SN	M066-D212	BALL ICE of IM-65NE-HC Ti Evaporator

Auxiliary Codes

Auxiliary Code Breakdown

The auxiliary code is the first two characters in the serial number. The first character indicates the year. Years progress or regress in alphabetical order. The series runs from "A" through "V" and the letters "I" and "O" are skipped. The second character indicates significant part changes within a year. Base is "0" and this number advances for each change. In cases where there is a letter in parentheses, this designates the month. This is the last character in the serial number. The series runs from "(A)" through "(M)" and the letter "(I)" is skipped. This designation is only included when identifying a parts change within an auxiliary code.

Note About Ordering Parts

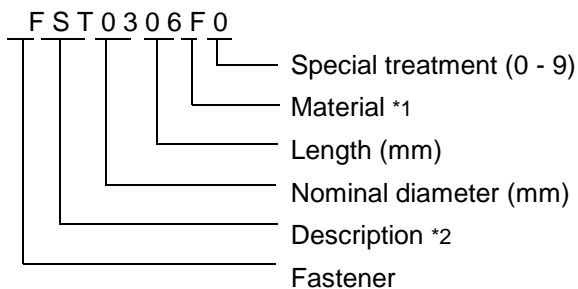
Most assemblies cannot be ordered as complete units; parts in the assemblies generally must be ordered separately.

MARKS LOCATED UNDER THE AUXILIARY CODE

- = Part deleted.

FASTENER PART NUMBER

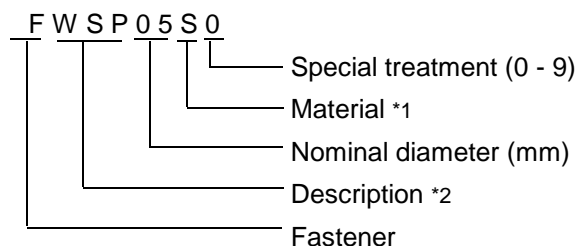
SCREWS



*1

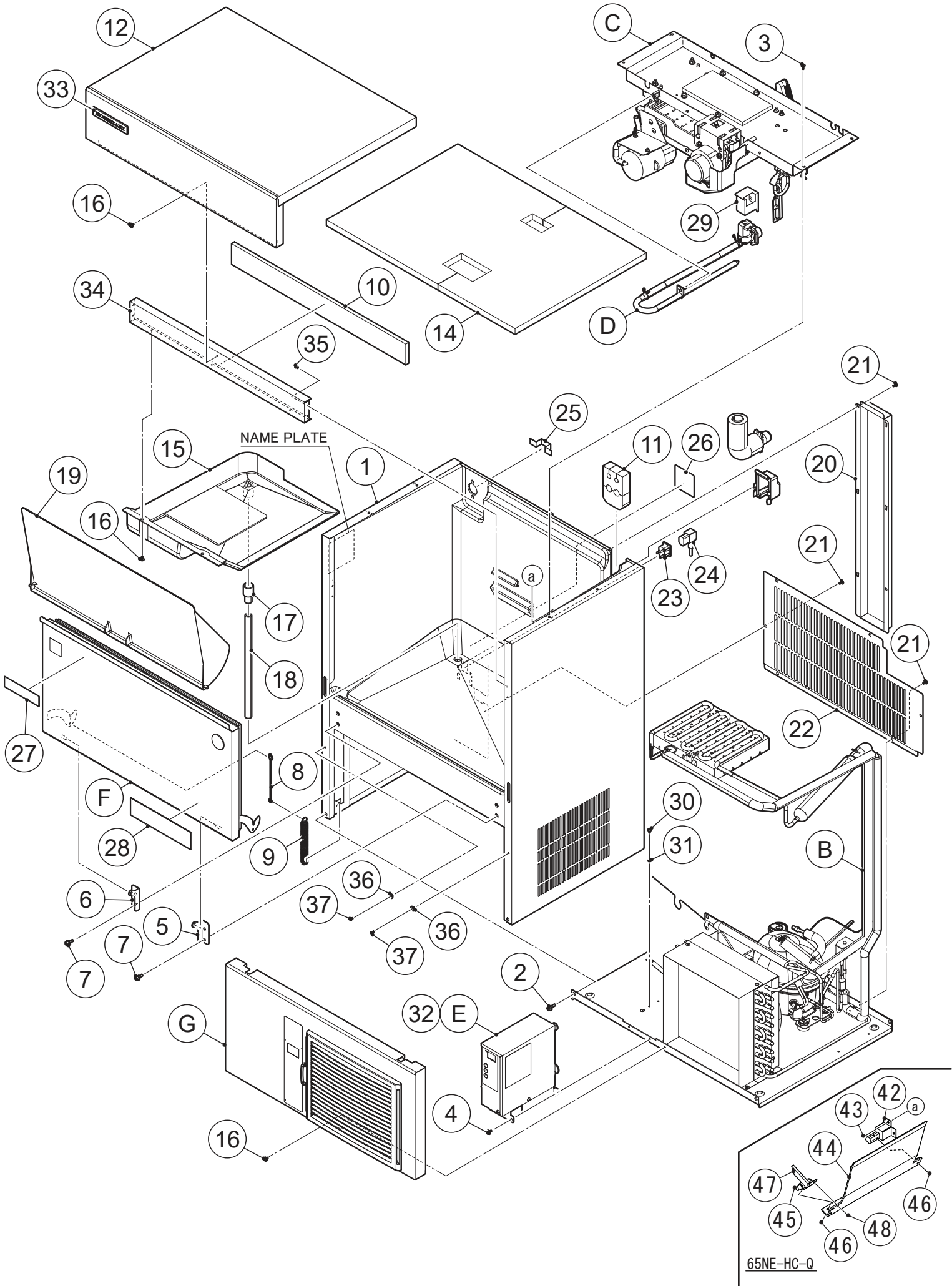
F: Steel
S: Austenitic stainless steel
M: Martensitic stainless steel
B: Copper alloy
P: Polycarbonate
N: Polyamide
V: PVC
A: ABS
X: Polyacetal
L: Aluminum

NUTS & WASHERS



*2

First letter
S: Machine screw
T: Tapping screw
M: Wood screw
B: Bolt
W: Washer
N: Nut



HE

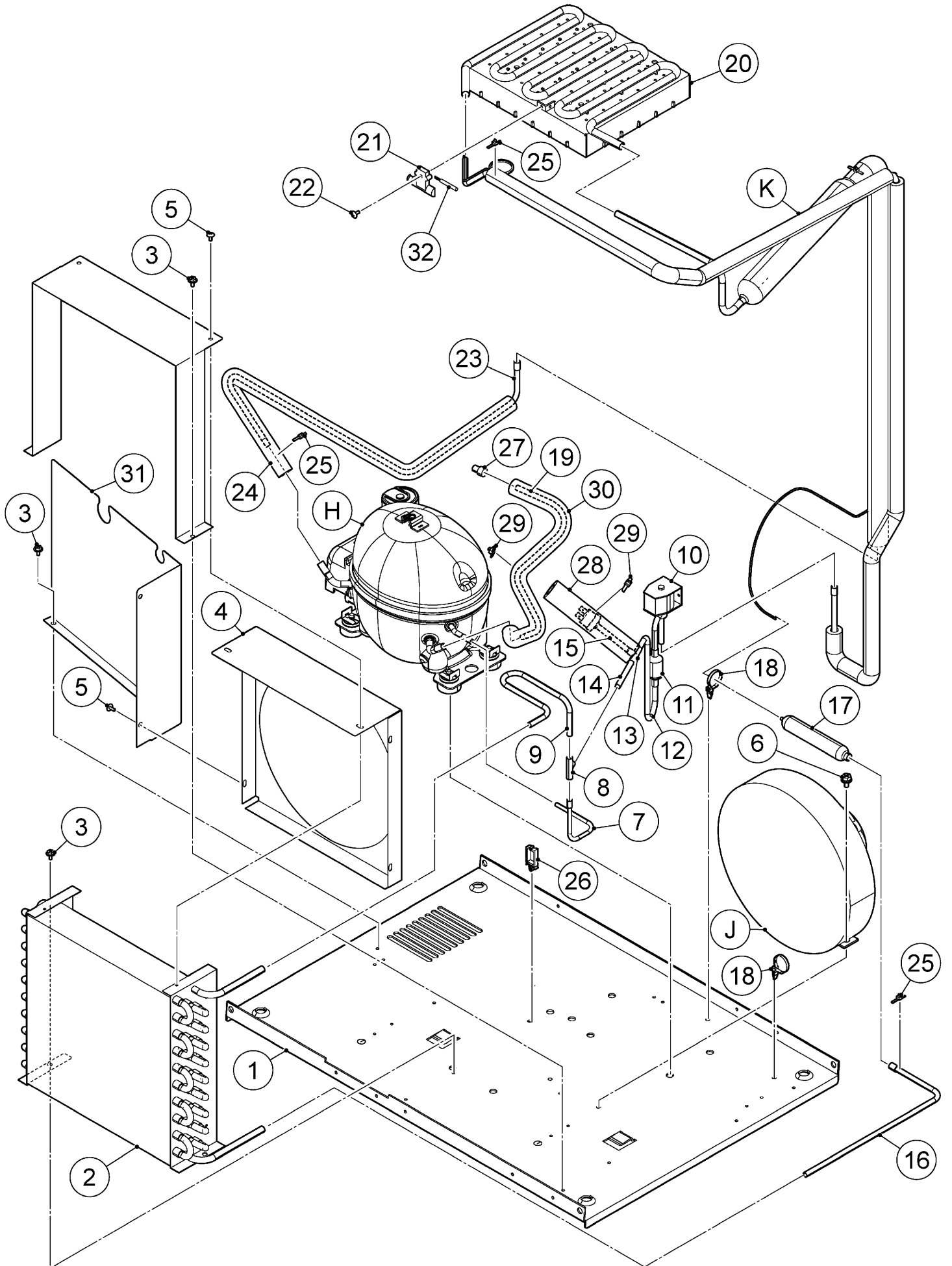
MODEL: IM-65NE-HC (-25,-H,-S,-LM,-LM103,-C,-Q)		TITLE: A. ICE CUBER ASSY						
INDEX NO.	DESCRIPTION	MATERIAL OR MODEL NUMBER	PART NUMBER	REQ'D NUMBER				
				E-1 G-0	G-1 J-0	J-1	J-2	K-1
B	REFRIGERATION ASSY		123738A01	1	-	-	-	-
			1H6003A01	-	1	1	1	1
		65NE-HC-LM 65NE-HC-LM103 65NE-HC-C	123738003 123738004 123738002	1	1	1	1	1
		65NE-HC-25	123738001	1	1	1	-	-
			1H6003001	-	-	-	1	1
		C	ICE MAKING MECHANISM ASSY		1H4910A02	1	1	1
65NE-HC-C	1H5338A02			-	1	1	1	1
MECHANISM ASSY	65NE-HC-LM 65NE-HC-LM103		1H5334A02	-	1	1	1	1
ICE MAKING MECHANISM ASSY	65NE-HC-Q		1H5360A01	-	1	1	1	1
D	WATER CIRCUIT ASSY		3Y5857A01	1	1	1	1	1
		65NE-HC-Q	3Y7529A01	-	1	1	1	1
E	CONTROL BOX ASSY		2X1218A02	1	-	-	-	-
			2X3406A02	-	1	-	-	-
			2X3406A04	-	-	1	1	1
		65NE-HC-25	2X1218A02	1	1	1	-	-
			2X3406A04	-	-	-	1	1
F	DOOR ASSY		3Y5644A02	1	1	1	1	1
G	FRONT PANEL LOWER ASSY		3Y5615A04	1	1	1	1	1
R	ACCESSORIES		A03122-01	1	1	1	1	1
S	OPTIONAL PARTS - GAS SENSOR	EXCEPT 65NE-HC-Q	OPT-M062	1	1	1	1	1
1	UNIT FRAME		1H4909G01	1	1	1	1	1
		65NE-HC-LM 65NE-HC-LM103	1H4909002	-	1	1	1	1
		65NE-HC-Q	1H5357G01	-	1	1	1	1
2	TAPPING SCREW - HEX		442040-01	4	4	4	4	4
3	T2 TRUSS HEAD SCREW		FT20412S0	4	4	4	4	4
		65NE-HC-Q		-	2	2	2	2
4	Flange Bolt (C-TITE)		FTR0408M0	2	2	2	2	2
5	HINGE (RIGHT)		4H2583-01	1	1	1	1	1
6	HINGE (LEFT)		4H2584-01	1	1	1	1	1
7	HEX HEAD BOLT (SPRING WASHER AND FLAT WASHER)		FBK0620S0	4	4	4	4	4
8	HOOK		404060-10	1	1	1	1	1
9	SPRING		4H0823-01	1	1	1	1	1

HE

MODEL: IM-65NE-HC (-25,-H,-S,-LM,-LM103,-C,-Q)		TITLE: A. ICE CUBER ASSY						
INDEX NO.	DESCRIPTION	MATERIAL OR MODEL NUMBER	PART NUMBER	REQ'D NUMBER				
				E-1 G-0	G-1 J-0	J-1	J-2	K-1
10	INSULATION-FRONT FRAME		4H2317-03	1	1	1	1	1
11	INSULATION-BIN		4Y7416P01	1	1	1	1	1
12	FRONT PANEL(UPPER)		3Y5548G03	1	1	1	1	1
		65NE-HC-LM 65NE-HC-LM103 65NE-HC-Q	3Y7468G01	-	1	1	1	1
14	INSULATION - TOP		3Y5960P02	1	1	1	1	1
		65NE-HC-LM 65NE-HC-LM103	3Y7387G01	-	1	1	1	1
	INSULATION-TOP PANEL	65NE-HC-C	3Y7493G02	-	1	1	1	1
	INSULATION - TOP	65NE-HC-Q	3Y7530G01	-	1	1	1	1
15	DRAIN PAN		2H1441-02	1	1	1	1	1
		65NE-HC-LM 65NE-HC-LM103	2H1632G01	-	1	1	1	1
		65NE-HC-Q	2H1676G01	-	1	1	1	1
16	S-TITE TRUSS HEAD SCREW		FTS0408M0	4	4	4	4	4
		65NE-HC-Q		-	6	6	6	6
17	DRAIN TUBE		4H2585-01	1	1	1	1	1
18	DRAIN PIPE		4Y7493P03	1	1	1	1	1
		65NE-HC-LM 65NE-HC-LM103	4Y7493P02	-	1	1	1	1
		65NE-HC-Q	4Y7493P04	-	1	1	1	1
19	SLOPE		2H1349-02	1	1	1	1	1
20	COVER - PIPE		3Y5869M01	1	1	1	1	1
21	T2 TRUSS HEAD SCREW		FT20408M0	12	12	12	12	12
22	REAR COVER		3Y5858M01	1	1	1	1	1
23	CONNECTOR		P00245-02	1	1	1	1	1
24	POWER SUPPLY CORD	EU-PLUG(10A)	P03359-01	1	1	1	1	1
		UK-PLUG(10A)	P03360-01	1	1	1	1	1
25	CAUTION - LABEL		452552-01	1	1	1	1	1
26	LABEL - R290		474520L01	1	1	1	1	1
27	LABEL - NATURAL REFRIGERANT		389472L01	1	1	1	1	1
28	WARNING LABEL - RISK OF FIRE		377581L01	1	1	1	1	1
29	COVER-WATER VALVE		3Y6277M01	1	1	1	1	1
30	TRUSS HEAD SCREW		FST0408S0	2	2	2	2	2
31	SPRING WASHER		FWSP04S0	2	2	2	2	2
32	HARNESS		267982A01	1	1	1	1	1
33	EMBLEM	FRONT PANEL(UPPER) (3Y5548G03)	340842-01	1	1	1	1	1

HE

MODEL: IM-65NE-HC (-25,-H,-S,-LM,-LM103,-C,-Q)		TITLE: A. ICE CUBER ASSY						
INDEX NO.	DESCRIPTION	MATERIAL OR MODEL NUMBER	PART NUMBER	REQ'D NUMBER				
				E-1 G-0	G-1 J-0	J-1	J-2	K-1
34	FRONT FRAME		3Z1555M03	1	1	1	1	1
35	RIVET	SSD42SSBS	7170-0006	4	4	4	4	4
36	TAPER COLLAR		4H0171-01	2	2	2	2	2
37	RIVET	SSD42SSBS	7170-0002	2	2	2	2	2
38	T2 TRUSS HEAD SCREW	65NE-HC-Q	FT20410M0	-	4	4	4	4
39	BRACE(B)	65NE-HC-Q	4X0885-01	-	1	1	1	1
40	ICE GUIDE(F)	65NE-HC-Q	3H4973G01	-	1	1	1	1
41	ICE GUIDE SHAFT(B)	65NE-HC-Q	4H5590-01	-	2	2	2	2
42	TRUSS HEAD MACHINE SCREW	65NE-HC-Q	FST0412S0	-	4	4	4	4
43	LEVER-ICE GUIDE	65NE-HC-Q	4H7248-01	-	1	1	1	1
44	TRUSS HEAD SCREW	65NE-HC-Q	FST0408S0	-	2	2	2	2
				-				

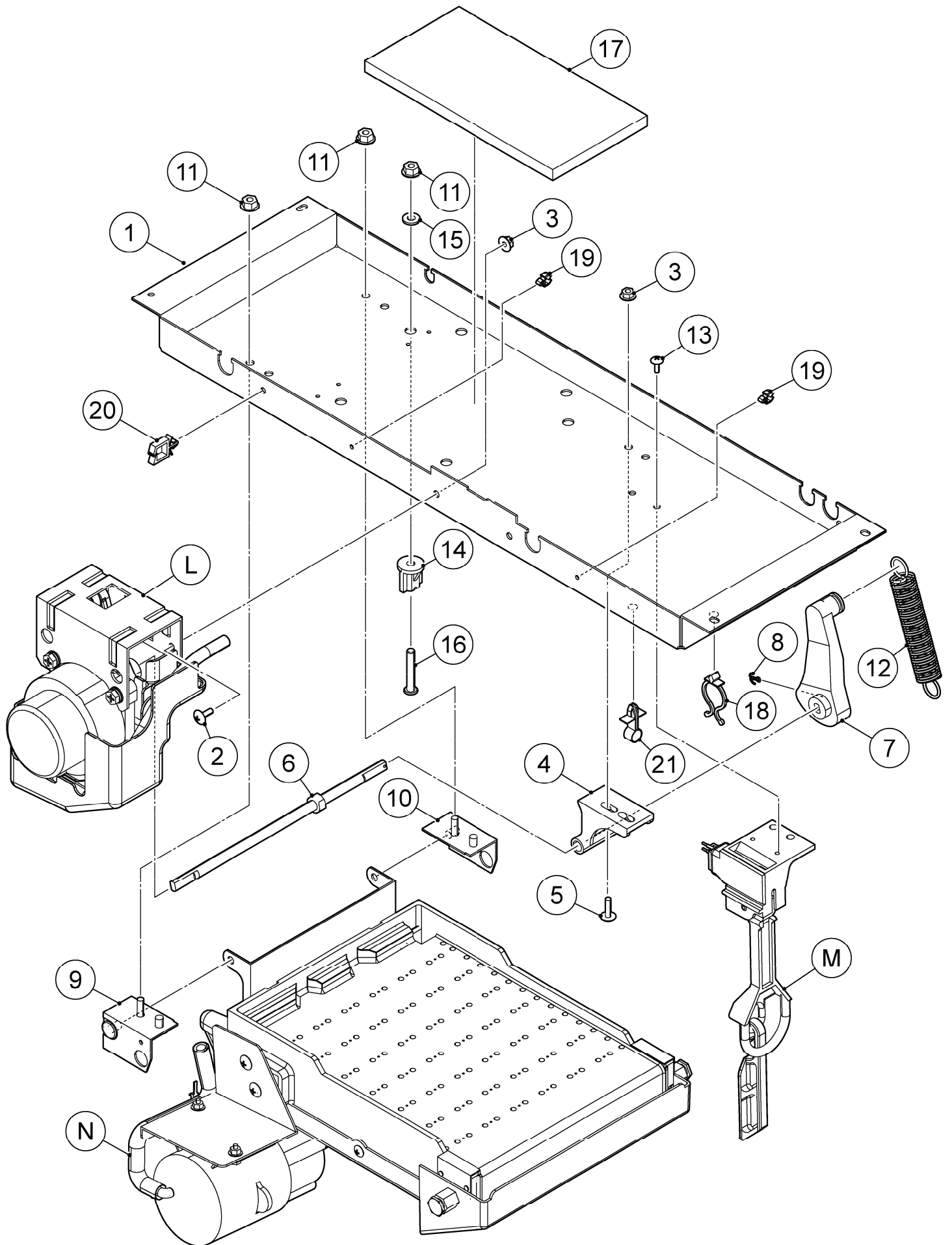


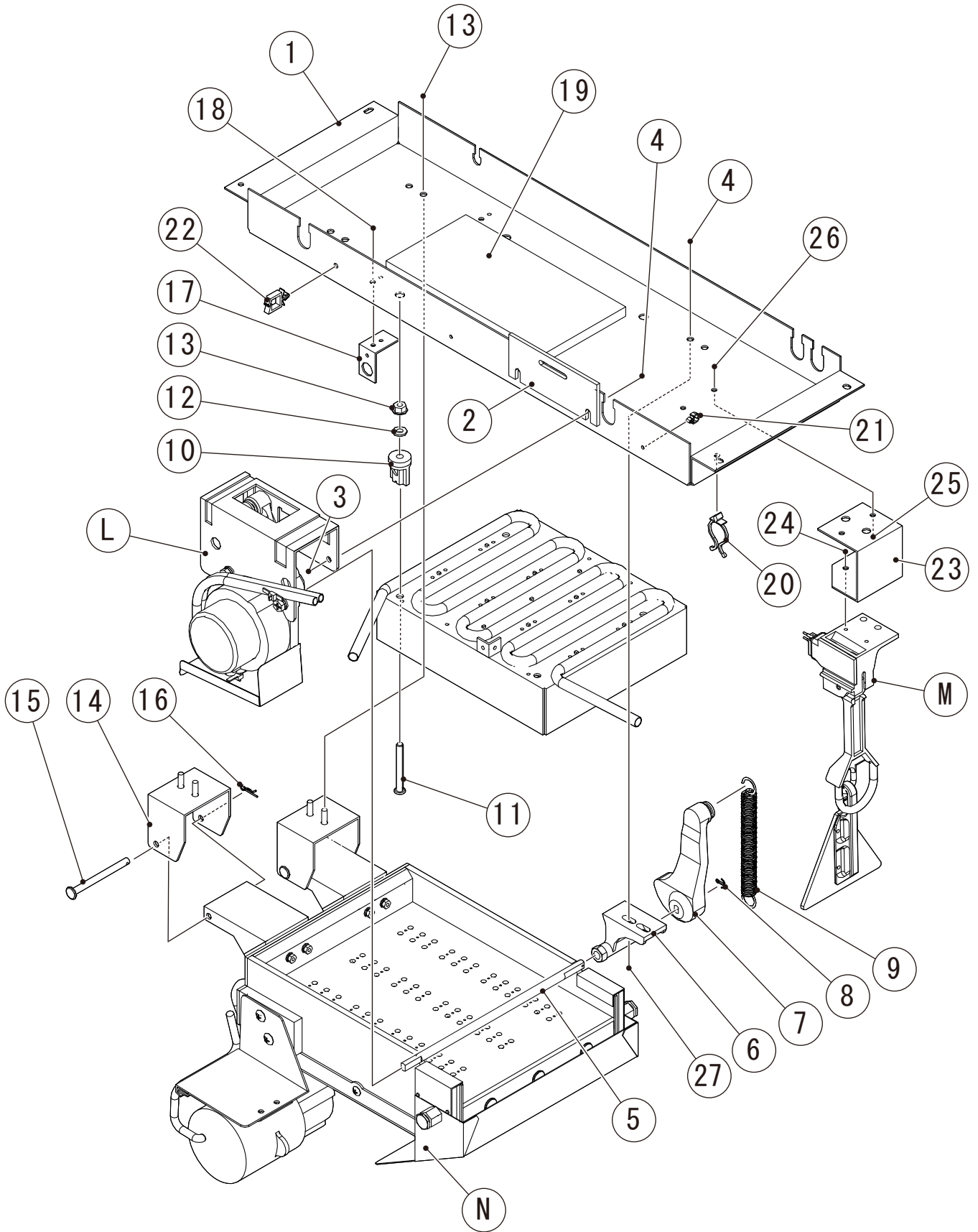
HE

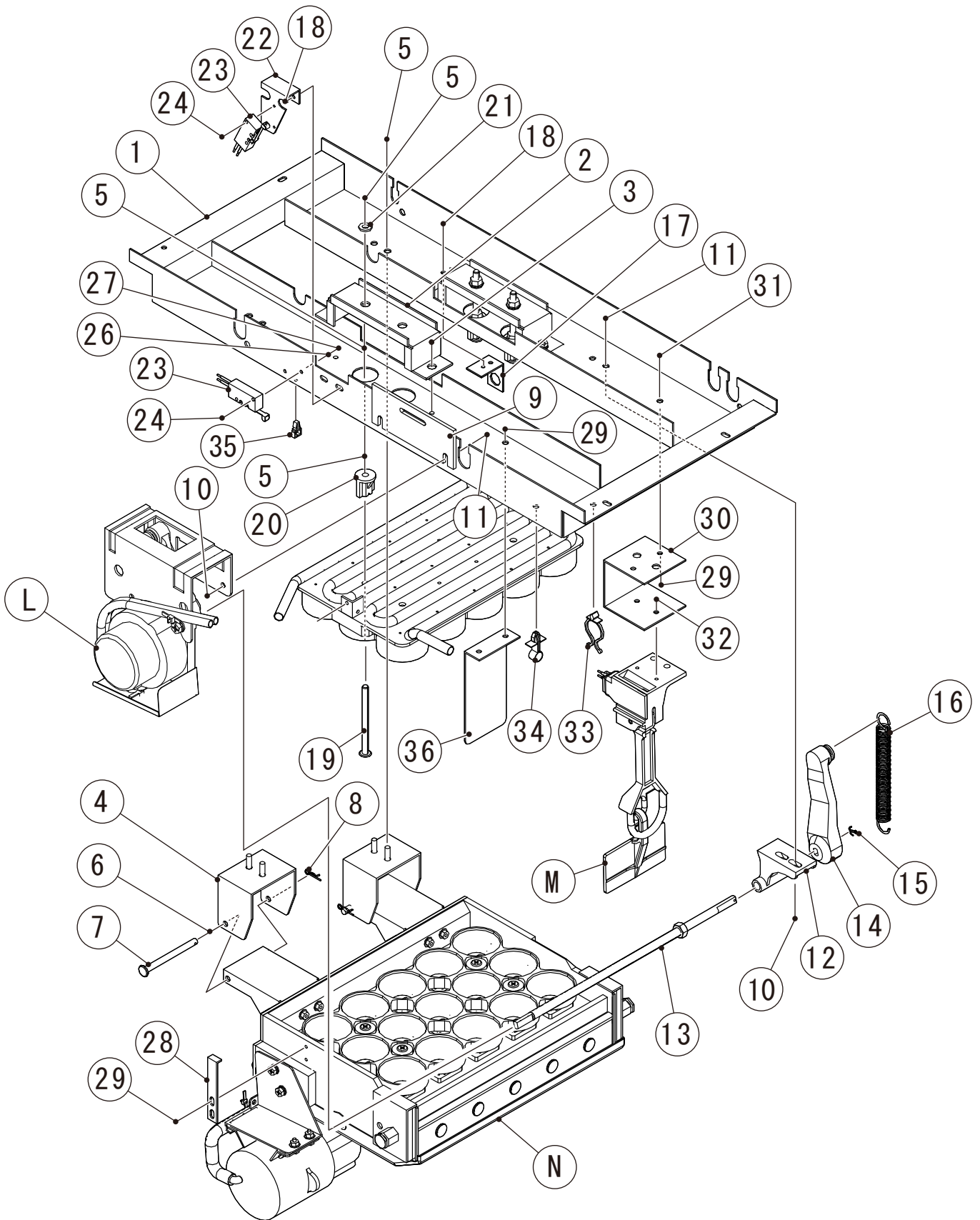
MODEL: IM-65NE-HC (-25,-H,-S,-LM,-LM103,-C,-Q)		TITLE: B. REFRIGERATION ASSY						
INDEX NO.	DESCRIPTION	MATERIAL OR MODEL NUMBER	PART NUMBER	REQ'D NUMBER				
				E-1 G-0	G-1 J-0	J-1	J-2	K-1 L-0
H	COMPRESSOR ASSY		381864A01	1	1	1	1	1
J	FAN MOTOR ASSY		3Y5886A01	1	1	1	1	1
K	HEAT EXCHANGER ASSY		381852A01	1	1	1	1	1
1	BASE		1H4829M01	1	1	1	1	1
2	CONDENSER		P03373-01	1	1	1	1	1
3	Flange Bolt (C-TITE)		FTR0408M0	5	5	5	5	5
4	SHROUD		3Y5883M01	1	1	1	1	1
5	T2 TRUSS HEAD SCREW		FT20408F0	6	6	6	6	6
6	HEX HEAD BOLT (SPRING WASHER AND FLAT WASHER)		FBK0612F0	2	2	2	2	2
7	PIPE (A) - HIGH SIDE		481253M01	1	1	1	1	1
8	TEE - 6.4		417394-01	1	1	1	1	1
9	PIPE (B) - HIGH SIDE		481254M01	1	1	1	1	1
10	HOT GAS VALVE	HOT GAS VALVE (G) 381850G01	P02539-01	1	1	1	1	1
11	STRAINER	HOT GAS VALVE (G) 381850G01	P00008-01	1	1	1	1	1
12	PIPE (A) - HOT	HOT GAS VALVE (G) 381850G01	481255M01	1	1	1	1	1
13	TEE - 6.4	HOT GAS VALVE (G) 381850G01	417394-01	1	1	1	1	1
14	PIPE (B) - HOT	HOT GAS VALVE (G) 381850G01	481438M01	1	1	1	1	1
15	PRESSURE SWITCH	HOT GAS VALVE (G) 381850G01	459863-08	1	1	1	1	1
16	PIPE(C) - HIGH SIDE		4Y7163M01	1	1	1	1	1
17	DRIER		P03584-01	1	1	1	1	1
18	TIE		P05042-01	2	2	2	2	2
19	PROCESS PIPE		481256M01	1	1	1	1	1
20	EVAPORATOR	65NE-HC	3H6803G02	1	-	-	-	-
			2X2461G02	-	1	1	1	1
		65NE-HC-25	3H4407G01	1	1	1	-	-
			2X2581G01	-	-	-	1	1
		65NE-HC-H	2X3214G01	-	1	1	1	1
		65NE-HC-S	2X3214G02	-	1	1	1	1
		65NE-HC-LM	3H4562G01	-	1	1	1	1
		65NE-HC-LM103	3H5806G01	-	1	1	1	1
65NE-HC-C	2X0258G01	-	1	1	1	1		
65NE-HC-Q	2X2941G01	-	1	1	1	1		

HE

MODEL: IM-65NE-HC (-25,-H,-S,-LM,-LM103,-C,-Q)		TITLE: B. REFRIGERATION ASSY						
INDEX NO.	DESCRIPTION	MATERIAL OR MODEL NUMBER	PART NUMBER	REQ'D NUMBER				
				L-1				
H	COMPRESSOR ASSY		381864A01	1				
J	FAN MOTOR ASSY		3Y5886A01	1				
K	HEAT EXCHANGER ASSY		381852A01	1				
1	BASE		1H4829M01	1				
2	CONDENSER		P03373-01	1				
3	Flange Bolt (C-TITE)		FTR0408M0	5				
4	SHROUD		3Y5883M01	1				
5	T2 TRUSS HEAD SCREW		FT20408F0	6				
6	HEX HEAD BOLT (SPRING WASHER AND FLAT WASHER)		FBK0612F0	2				
7	PIPE (A) - HIGH SIDE		481253M01	1				
8	TEE - 6.4		417394-01	1				
9	PIPE (B) - HIGH SIDE		481254M01	1				
10	HOT GAS VALVE	HOT GAS VALVE (G) 381850G01	P02539-01	1				
11	STRAINER	HOT GAS VALVE (G) 381850G01	P00008-01	1				
12	PIPE (A) - HOT	HOT GAS VALVE (G) 381850G01	481255M01	1				
13	TEE - 6.4	HOT GAS VALVE (G) 381850G01	417394-01	1				
14	PIPE (B) - HOT	HOT GAS VALVE (G) 381850G01	481438M01	1				
15	PRESSURE SWITCH	HOT GAS VALVE (G) 381850G01	459863-08	1				
16	PIPE(C) - HIGH SIDE		4Y7163M01	1				
17	DRIER		P03584-01	1				
18	TIE		P05042-01	2				
19	PROCESS PIPE		481256M01	1				



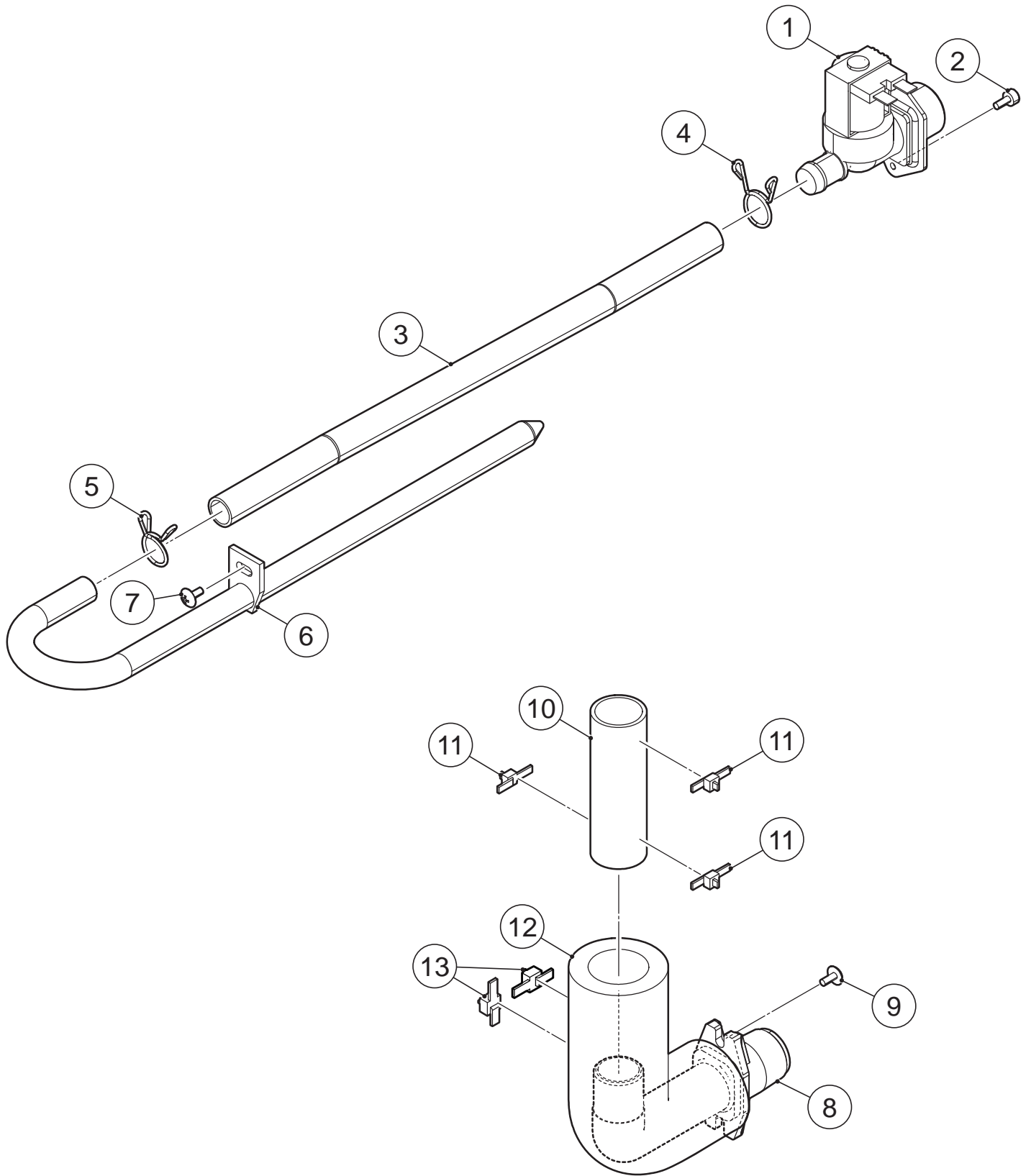


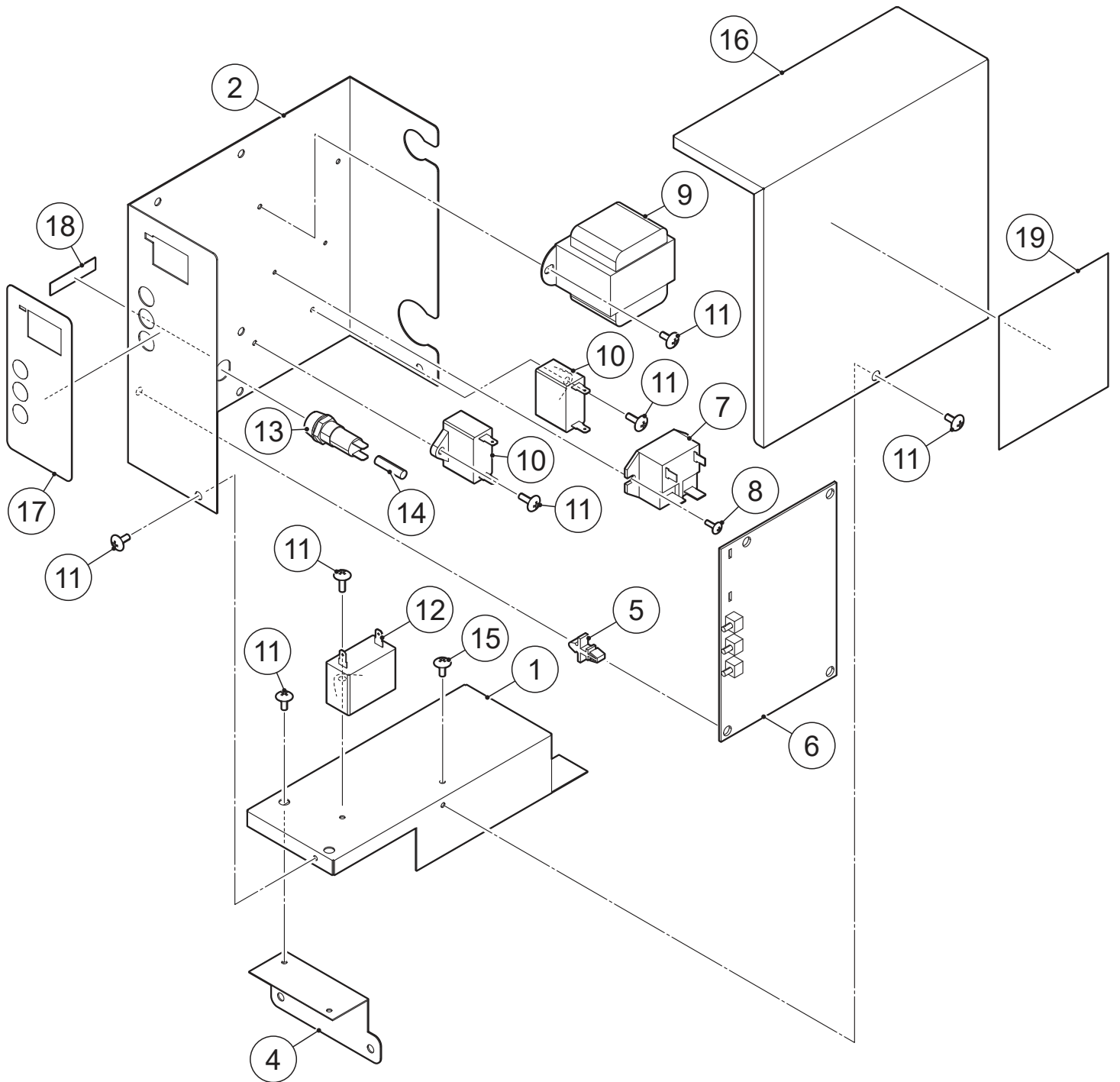


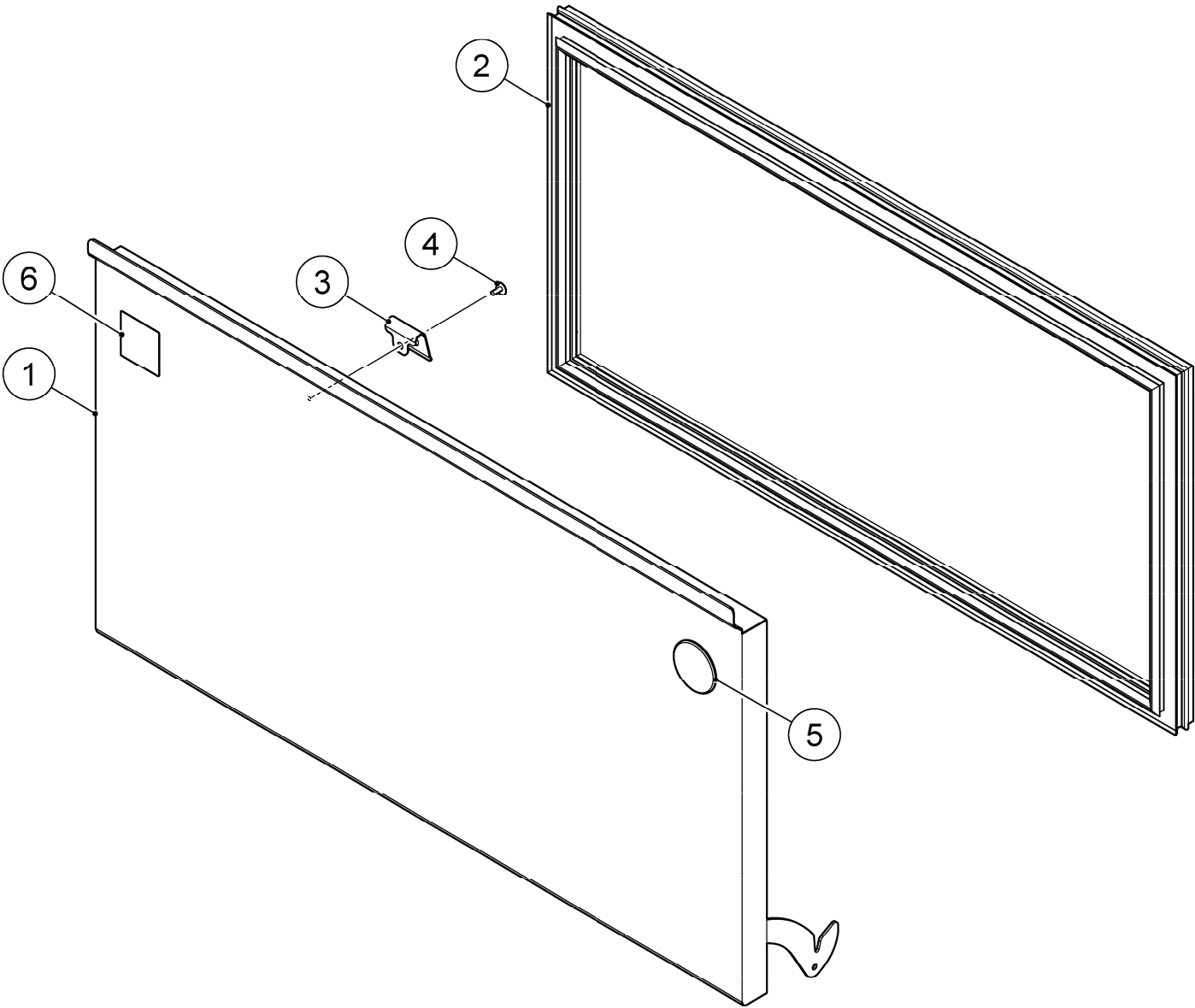
HE

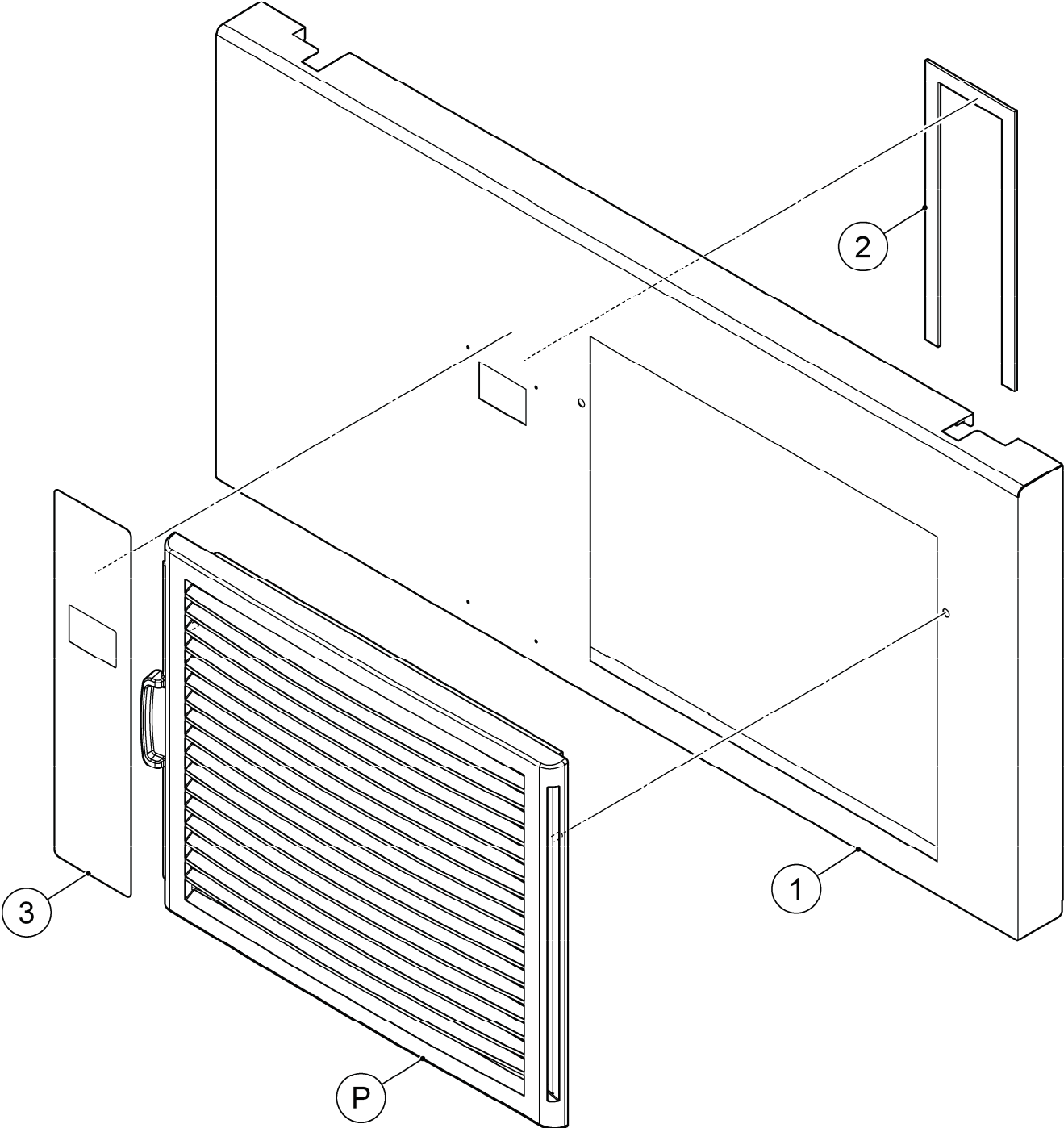
MODEL: **IM-65NE-HC**
(-Q)TITLE: **C. ICE MAKING MECHANISM ASSY**

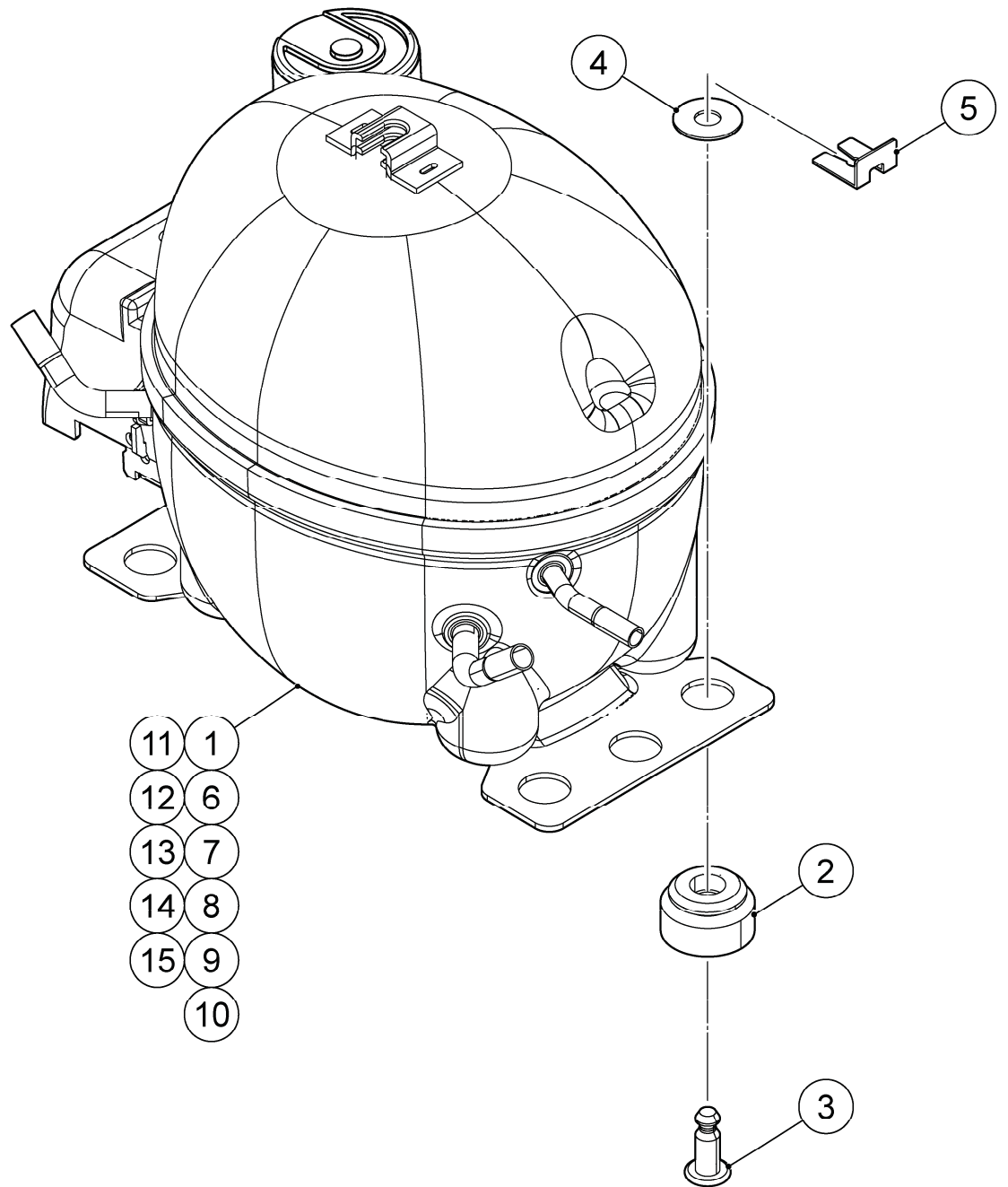
INDEX NO.	DESCRIPTION	MATERIAL OR MODEL NUMBER	PART NUMBER	REQ'D NUMBER				
				H-0 J-0	J-1	J-2	K-1	
L	ACTUATOR MOTOR ASSY		3Y8844A01	1	1	1	1	
M	BIN CONTROL SWITCH		3H1537A08	1	1	1	1	
N	WATER PAN ASSY		2X1646A02	1	1	1	1	
1	MECHANISM BASE		1H5358M01	1	1	1	1	
2	BRACKET-EVAPORATOR		3H5000-01	2	2	2	2	
3	HEX HEAD BOLT (SPRING WASHER AND FLAT WASHER)		FBK0512S0	4	4	4	4	
4	BEARING-WATER PAN		3H5926G01	2	2	2	2	
5	FLANGE NUT		FNHF06S0	16	16	16	16	
6	FLAT WASHER		FWPL06N0	4	4	4	4	
7	SHAFT (A)		4H1184-01	2	2	2	2	
8	SNAP PIN		715S-0006	2	2	2	2	
9	SPACER(C)		4Y6145P01	1	1	1	1	
10	TRUSS HEAD SCREW		FST0516S0	2	2	2	2	
11	FLANGE NUT		FNHF05S0	4	4	4	4	
12	CAM SHAFT BEARING		307256-02	1	1	1	1	
13	CAM SHAFT		4H7247G01	1	1	1	1	
14	CAM(B)		3H5650-01	1	1	1	1	
15	CUTTER PIN		711S-0212	1	1	1	1	
16	SPRING		4H0287-01	1	1	1	1	
17	BRACKET-PIPE		4H5585-01	2	2	2	2	
18	HEX HEAD BOLT (SPRING WASHER AND FLAT WASHER)		FBK0410S0	4	4	4	4	
19	SCREW-EVAPORATOR MOUNTING		4H5788-01	4	4	4	4	
20	SPACER		4H0471-01	4	4	4	4	
21	WASHER		4H0777-01	4	4	4	4	
22	BRACKET(A)-SW		4Y8236M01	1	1	1	1	
23	MICRO SWITCH		456432-02	2	2	2	2	
24	PAN HEAD MACHINE SCREW (SPRING WASHER AND FLAT WASHER)		FSP0320S0	4	4	4	4	
26	FLAT WASHER		FWPL03S0	2	2	2	2	
27	NUT		FNH103S0	2	2	2	2	

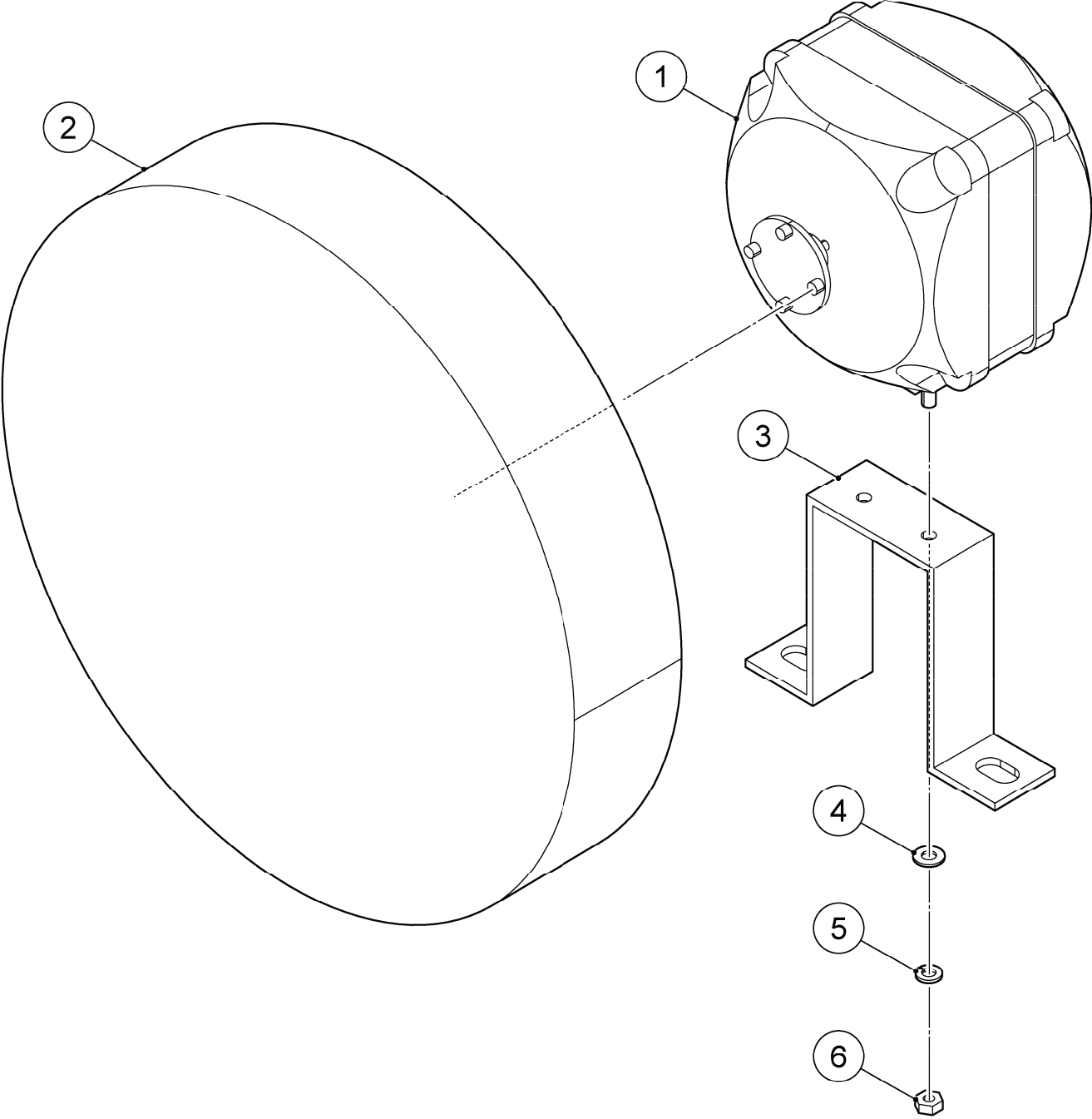


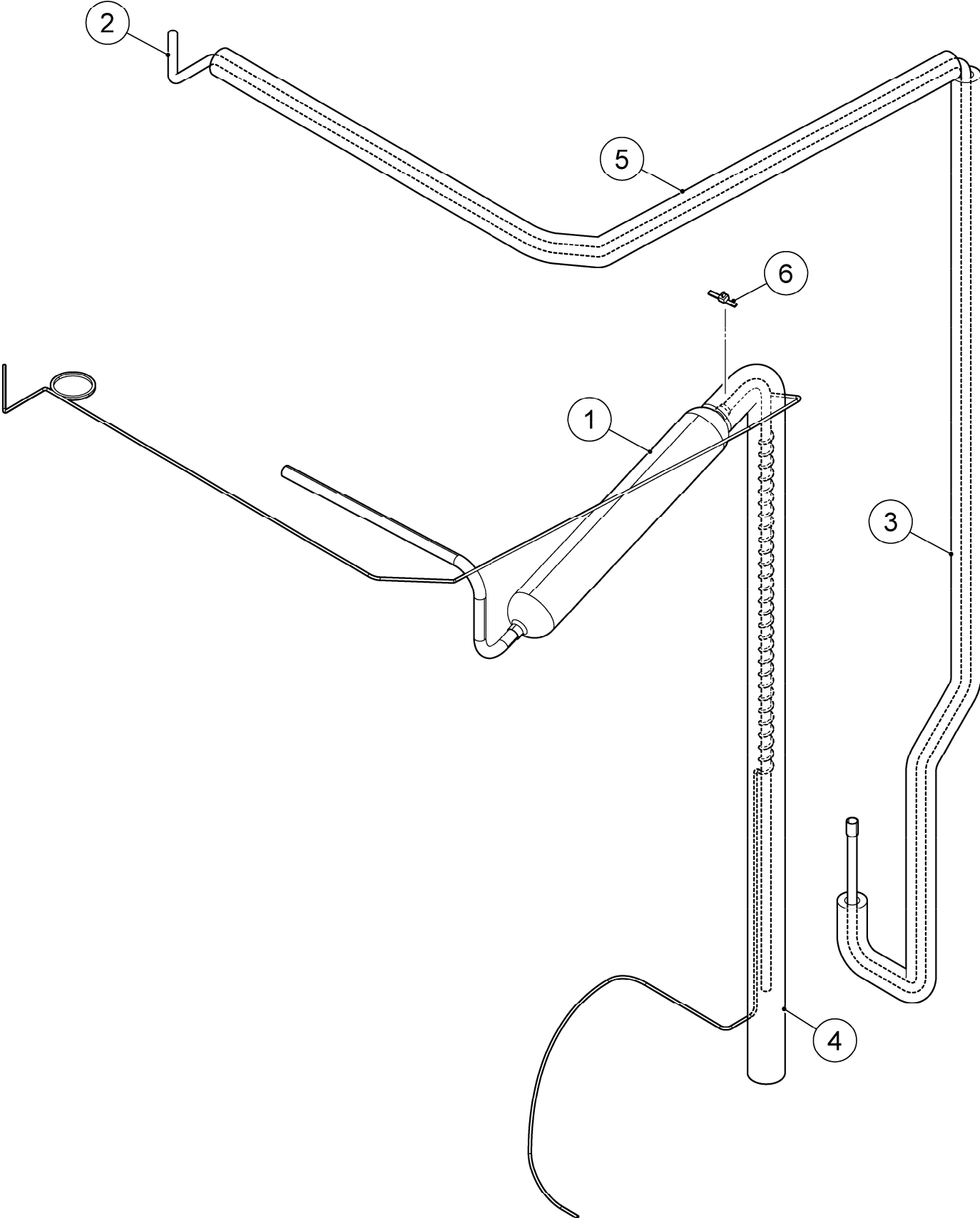


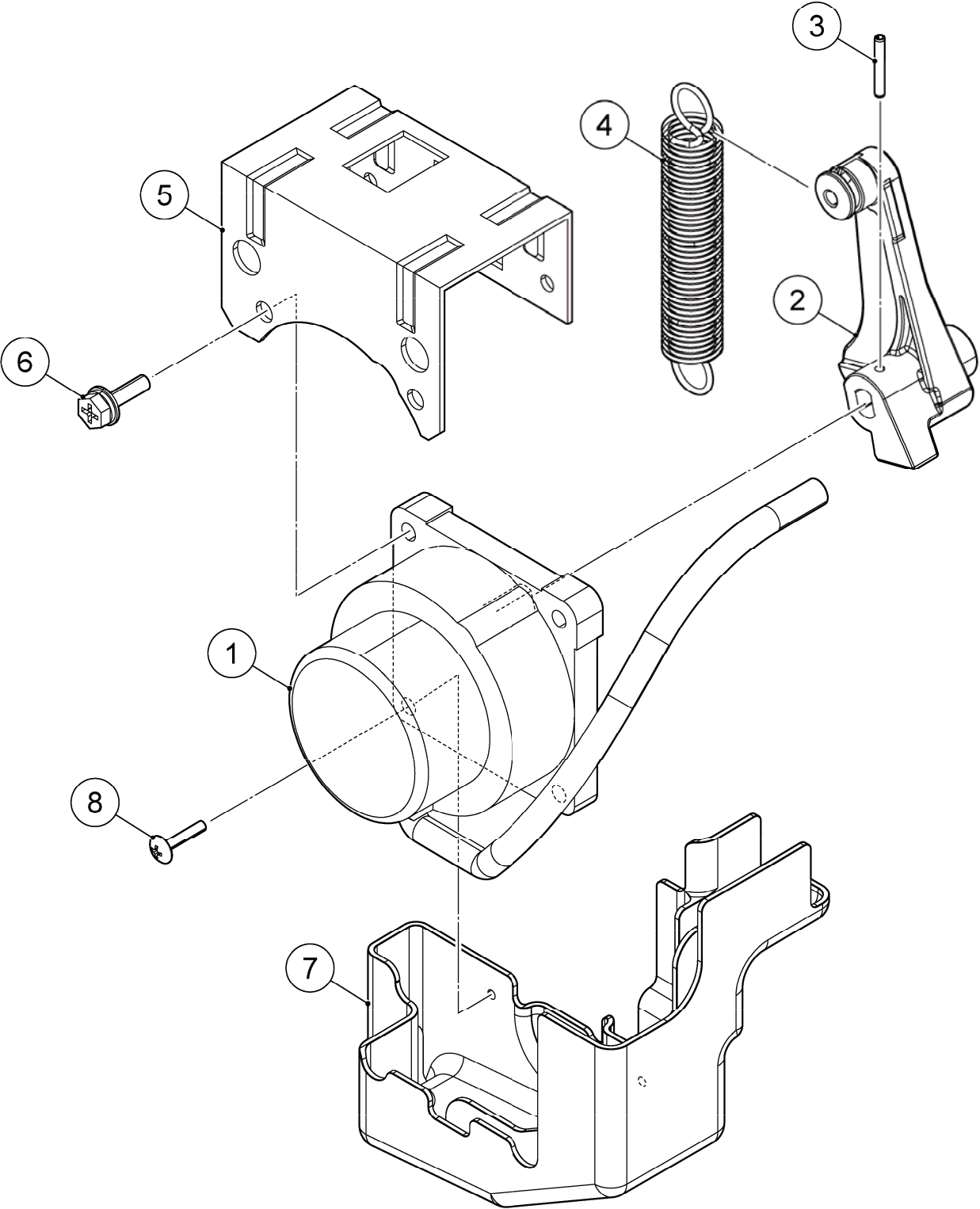


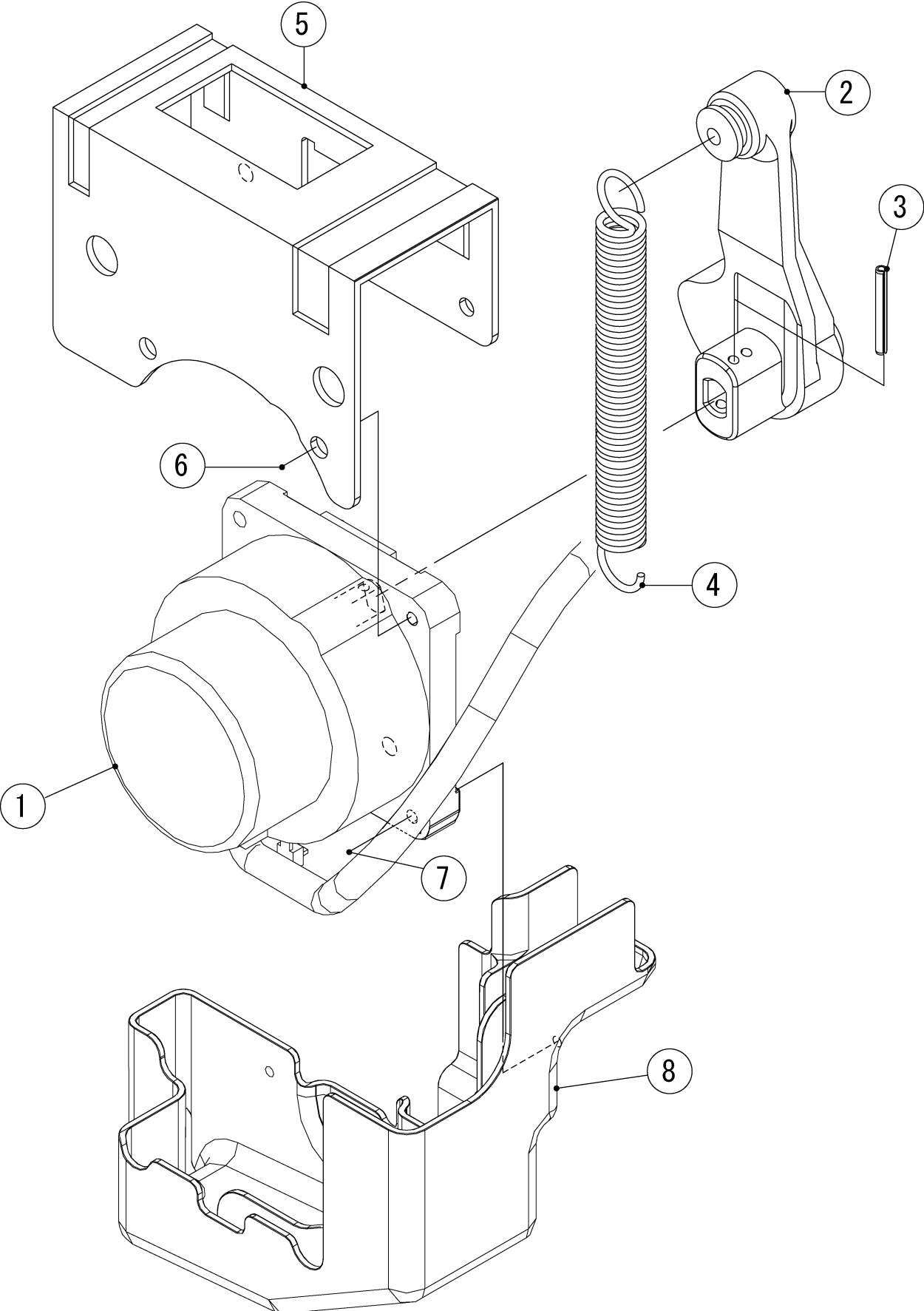


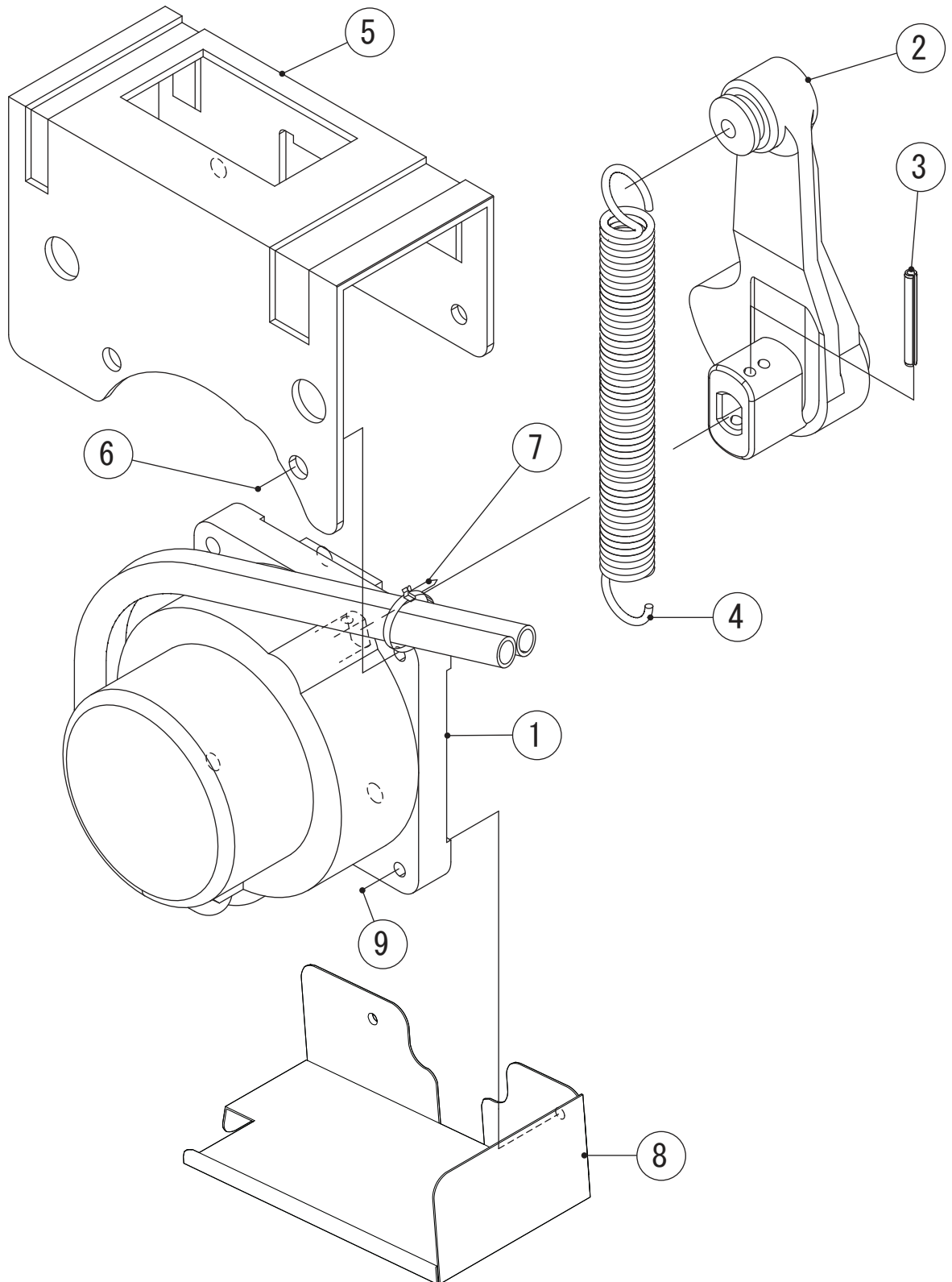


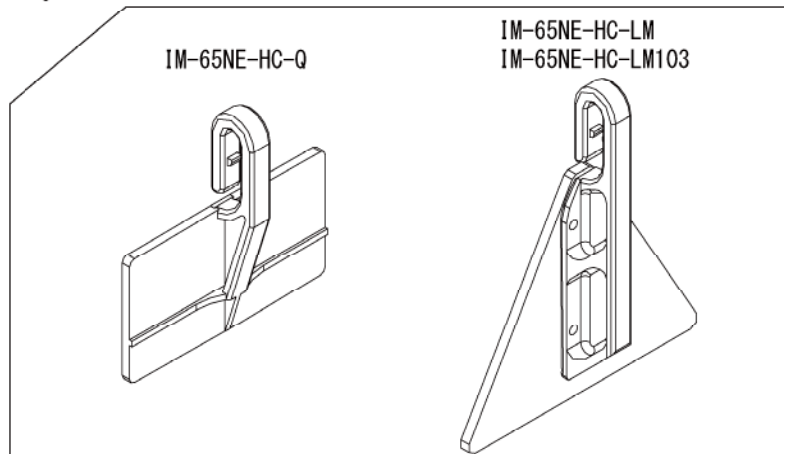
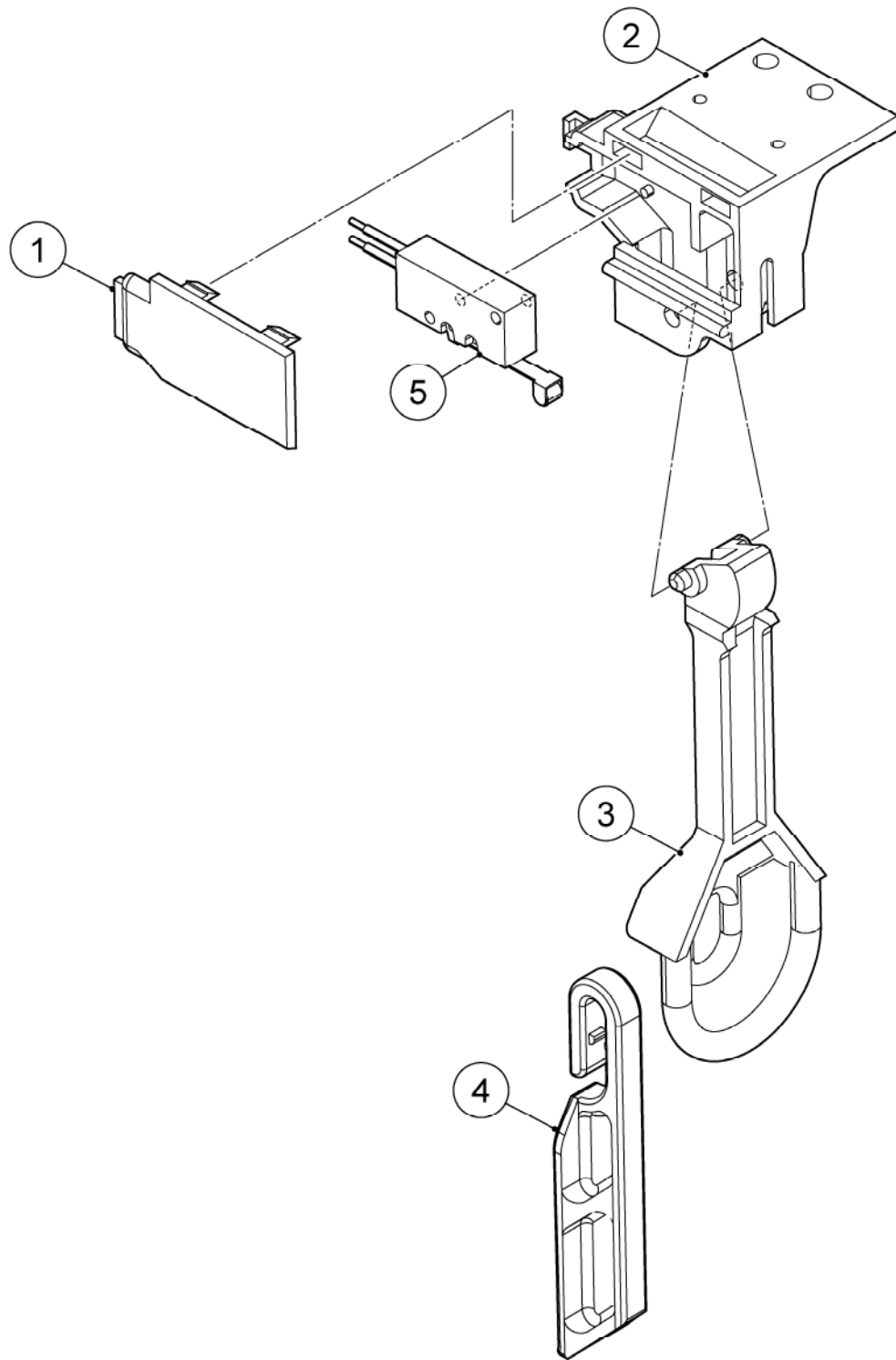


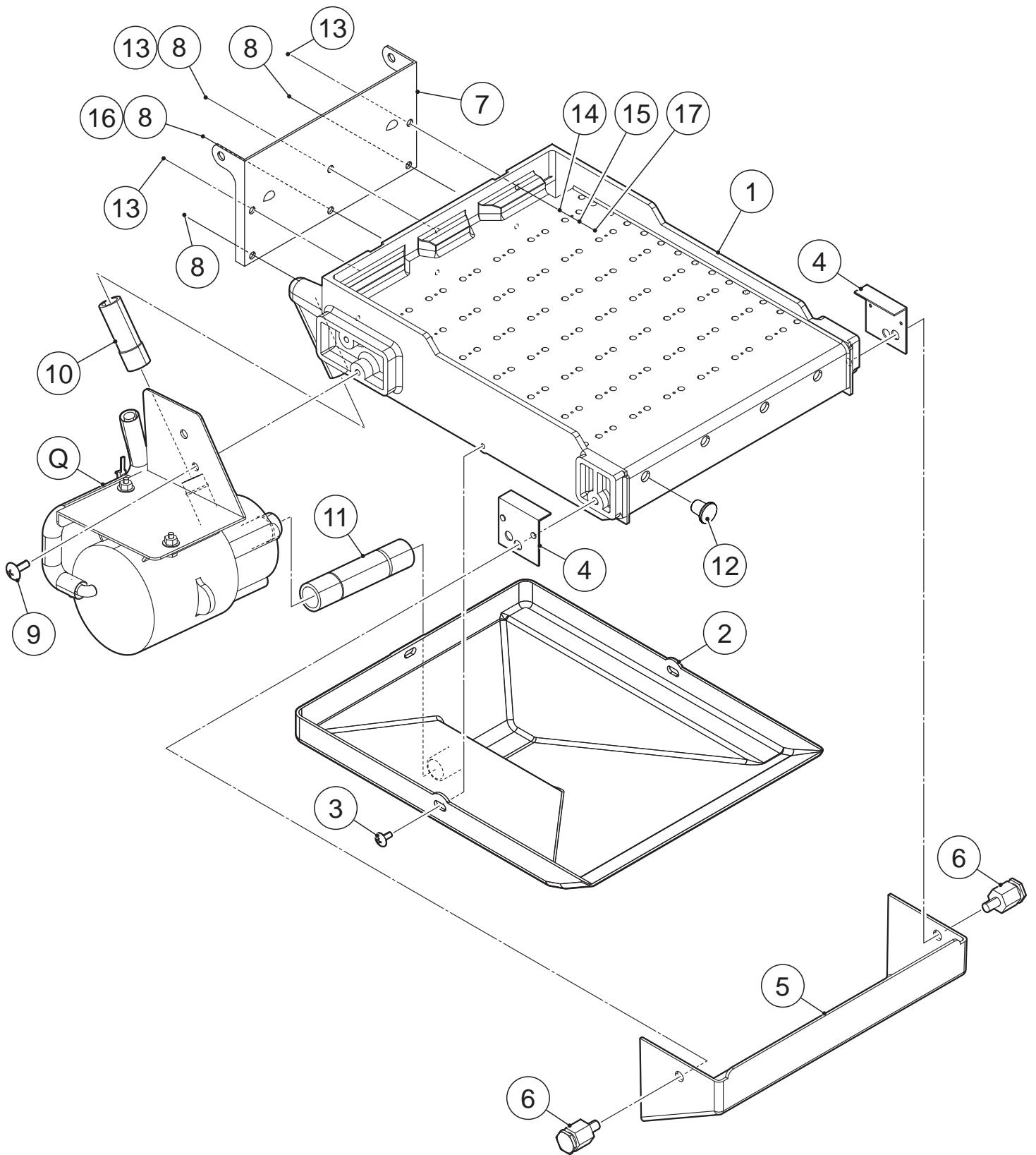












HE

MODEL: IM-65NE-HC (-25,-H,-S,-C)		TITLE: N. WATER PAN ASSY						
INDEX NO.	DESCRIPTION	MATERIAL OR MODEL NUMBER	PART NUMBER	REQ'D NUMBER				
				E-1 G-0	G-1 J-0	J-1	J-2	K-1
Q	PUMP MOTOR ASSY		2X1156A02	1	1	1	1	1
1	WATER PLATE	65NE-HC	2H0598G02	1	1	1	1	1
		65NE-HC-25	2H0598G03	1	1	1	1	1
	WATER PAN	65NE-HC-H 65NE-HC-S	1H0545G01	-	1	1	1	1
	WATER PLATE	65NE-HC-C	1H4748G01	-	1	1	1	1
2	WATER TANK		2H1459-02	1	1	1	1	1
3	T2 TRUSS HEAD SCREW	65NE-HC 65NE-HC-25	FT20408S0	3	3	3	3	3
	TRUSS HEAD SCREW	65NE-HC-H 65NE-HC-S 65NE-HC-C	FST0408S0	-	3	3	3	3
4	PLATE-LUBRICATION		4H0448-01	2	2	2	2	2
5	DRAIN GUIDE		3H5521-01	1	1	1	1	1
	GUIDE - DRAIN	65NE-HC-H 65NE-HC-S	3H0785G01	-	1	1	1	1
		65NE-HC-C	3Y5392M01	-	1	1	1	1
6	SCREW SPRING HOOK		4H2582G01	2	2	2	2	2
7	BRACKET - WATER PAN		4H2643-02	1	1	1	1	1
	BRACKET - WP	65NE-HC-C	4Y6937M01	-	1	1	1	1
8	T2 TRUSS HEAD SCREW	65NE-HC 65NE-HC-25	FT20412M0	4	4	4	4	4
9	T2 TRUSS HEAD SCREW	65NE-HC 65NE-HC-25	FT20512M0	2	2	2	2	2
	TRUSS HEAD SCREW	65NE-HC-H 65NE-HC-S	FST0512S0	-	2	2	2	2
		65NE-HC-C	FST0512S0	-	2	2	2	2
10	DISCHARGE TUBING		4H1982-01	1	1	1	1	1
11	SUCTION TUBING		4H1922-02	1	1	1	1	1
12	PLUG - CLEANING (C)	65NE-HC-H 65NE-HC-S	414061-01	-	4	4	4	4
13	TRUSS HEAD SCREW	65NE-HC-H 65NE-HC-S 65NE-HC-C	FST0420S0	-	3	3	3	3
14	FLAT WASHER	65NE-HC-H 65NE-HC-S	FWPL04S0	-	2	2	2	2
		65NE-HC-C		-	3	3	3	3
15	SPRING WASHER	65NE-HC-H 65NE-HC-S	FWSP04S0	-	2	2	2	2
		65NE-HC-C		-	3	3	3	3
16	PAN HEAD MACHINE SCREW	65NE-HC-C	FSP0416S0	-	1	1	1	1
17	NUT	65NE-HC-H 65NE-HC-S	FNH104S0	-	2	2	2	2
		65NE-HC-C		-	3	3	3	3

