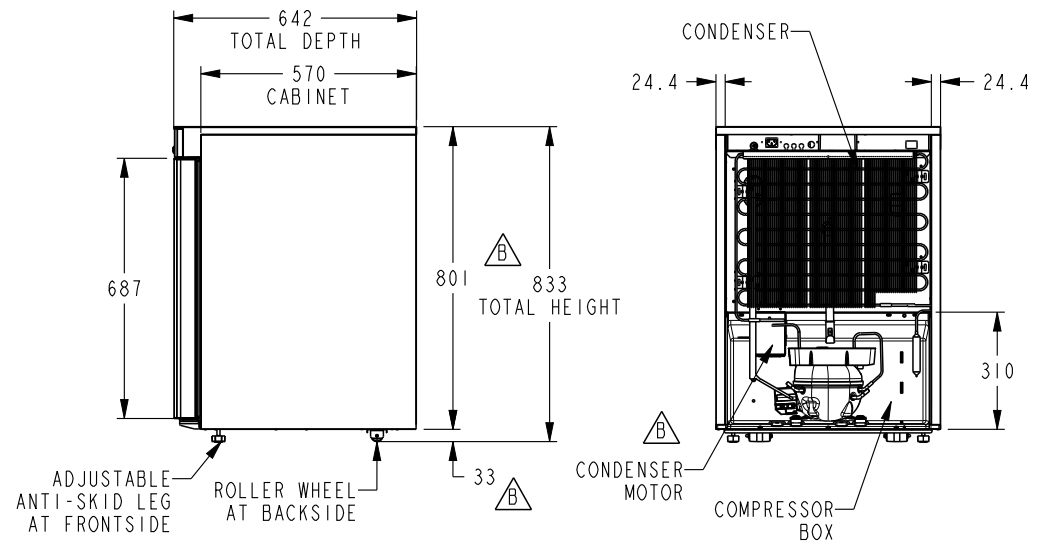
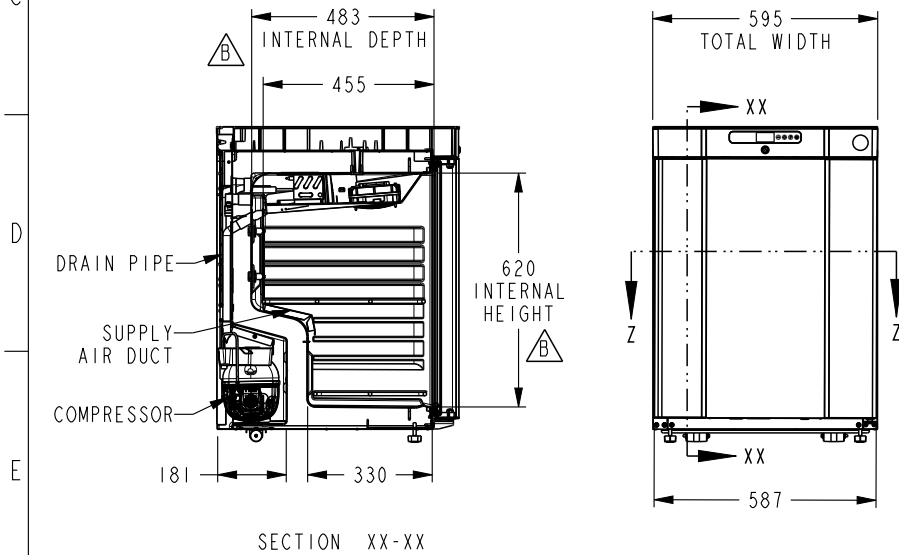
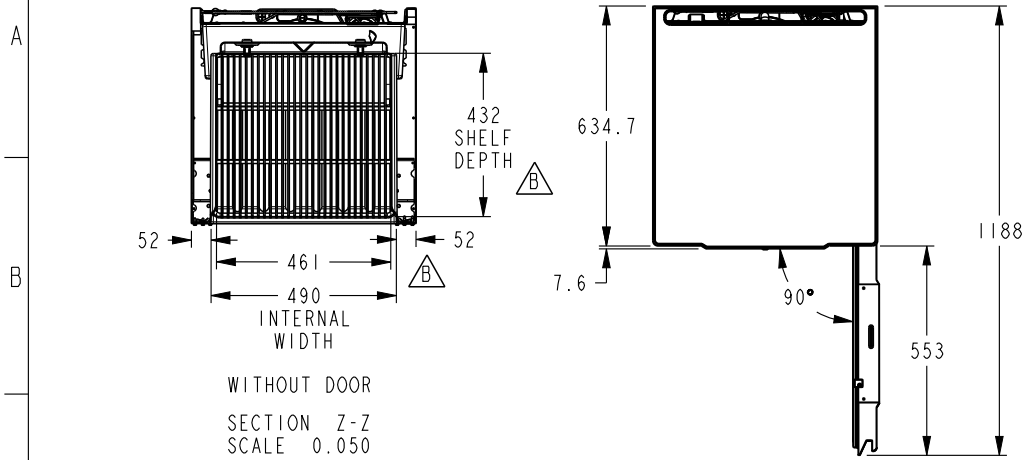


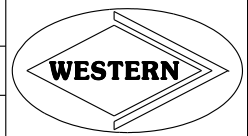
NOTE: COMPONENT AND ASSEMBLY MUST BE COMPLIANT TO APPLICABLE RECENT ROHS DIRECTIVES.

CHANGE NOTE						
REVISION	SHEET NO	ZONE	DETAILS	ECN	DATE	DRAWN
B	1.2	-	DRAWING UPDATED	-	06.08.2022	SHARAD



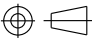
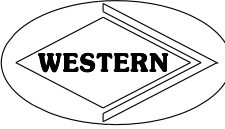
UNSPECIFIED TOLERANCES					SCALE: NTS	TITLE	DWG. NO:	REVISION
DIM	<6	6-30	30-120	120-400	400-1000	>1000	0711057	B
TOL	±0.1	±0.2	±0.3	±0.5	±0.8	±1.2	SAP CODE 0711057	
UNSPECIFIED TOL. ON ANGLE ±0.5					ALL DIMENSIONS ARE IN MM	GENERAL ARRANGEMENT		
					DRAWN BY SAURABH S	MODEL K/F 220		
					CHECKED BY BHASKAR	RELEASE DATE 30.07.2021	SHEET 1 OF 2	
					APPROVED BY PARESH	RELEASE STAGE: IN WORK		

THIS ASSEMBLY DRAWING IS FOR ILLUSTRATION PURPOSE. COMPONENTS, ASSEMBLY SEQUENCE MAY VARY DEPENDING UPON MANUFACTURING PRACTICES SPECIFIC TO MANUFACTURING LOCATIONS. REFER PROCESS WORK INSTRUCTIONS FOR MORE DETAILS ON ASSEMBLY. REFER SAP BOM FOR EXACT MATERIAL CONSUMPTION.



NOTE: COMPONENT AND ASSEMBLY MUST BE COMPLIANT TO APPLICABLE RECENT ROHS DIRECTIVES.

	ITEM	UPRIGHT SOLID DOOR CHILLER	UPRIGHT SOLID DOOR FREEZER
	MODEL NAME	COMPACT K220	COMPACT F220
⊕	POWER SUPPLY	SINGLE PHASE, 220-240V AC, 50HZ	SINGLE PHASE, 220-240V AC, 50HZ
	POWER CORD	3M / AMPERAGE AS PER COUNTRY SPECIFICATION	3M / AMPERAGE AS PER COUNTRY SPECIFICATION
⊕	OUTSIDE DIMENSIONS (mm)	595(W)X642(D)X833(H-WITH ROLLER)	595(W)X642(D)X833(H-WITH ROLLER)
⊕	INSIDE DIMENSIONS (mm)	490(W)X483(D)X620(H)	490(W)X483(D)X620(H)
	EXTERIOR MATERIAL	PRE-COATED SHEET / STAINLESS STEEL SS430	PRE-COATED SHEET / STAINLESS STEEL SS430
⊕	INTERIOR MATERIAL	HIPS	HIPS
	INSULATION	POLYURETHANE FOAM (CFC FREE)	POLYURETHANE FOAM (CFC FREE)
	INSULATION FOAM BLOWING AGENT	CYCLOPENTANE	CYCLOPENTANE
	REFRIGERATION SYSTEM	FORCED COOLING	FORCED COOLING
	COMPRESSOR	EMBRACO	EMBRACO
	CONDENSER	WIRE ON TUBE TYPE	WIRE ON TUBE TYPE
	EVAPORATOR	COPPER TUBE	COPPER TUBE
	REFRIGERANT	R600a	R600a
⊕	OPERATING CONDITIONS	CLIMATIC CLASS4 : +30°C / 55% RH	CLIMATIC CLASS4 : +30°C / 55% RH
	TEMPERATURE RANGE	+1°C TO +12°C	-25°C TO -5°C
	CASTOR / LEGS / QUANTITY	2NOS OF ROLLER WHEELS AND 2NOS OF ANTI-SKID LEGS	2NOS OF ROLLER WHEELS AND 2NOS OF ANTI-SKID LEGS
	SHELF	1 NO BIG SHELF + 1 NO SMALL SHELF	1 NO BIG SHELF + 1 NO SMALL SHELF

SCALE: NTS  ALL DIMENSIONS ARE IN MM	TITLE		DWG. NO:	REVISION
	GENERAL ARRANGEMENT		0711057	B
	SAP CODE		0711057	
DRAWN BY	MODEL			
SAURABH S	K/F 220			
CHECKED BY	RELEASE DATE	SHEET		
BHASKAR	30.07.2021	2 OF 2		
APPROVED BY	RELEASE STAGE:			
PARESH	IN WORK			