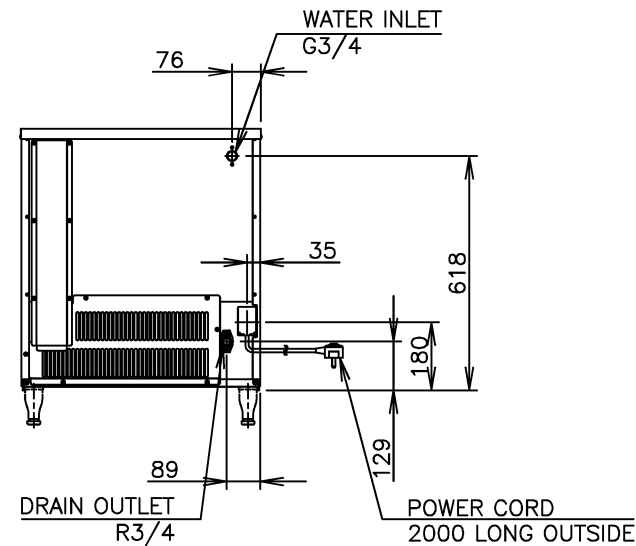
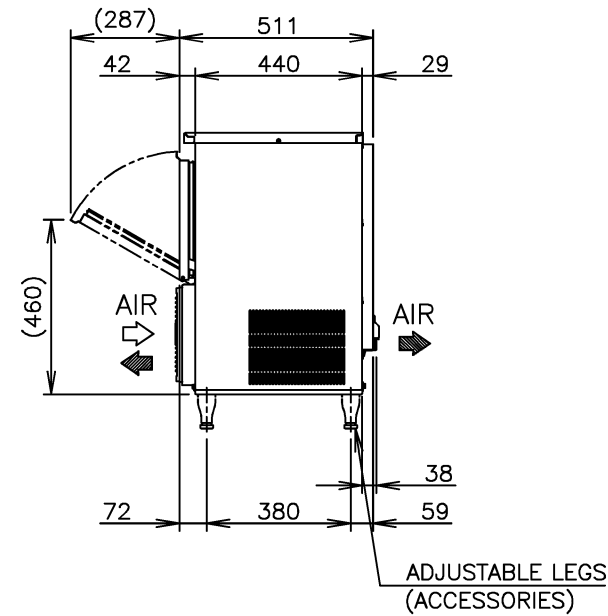
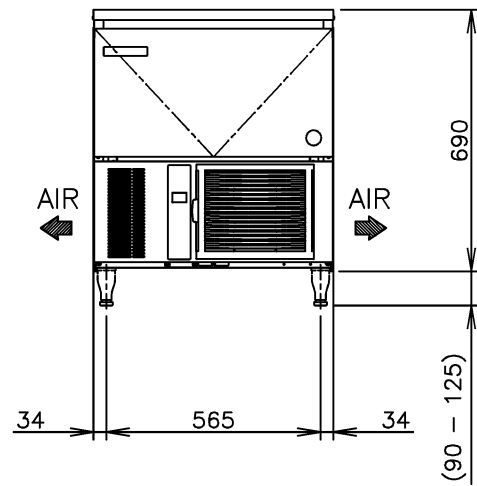
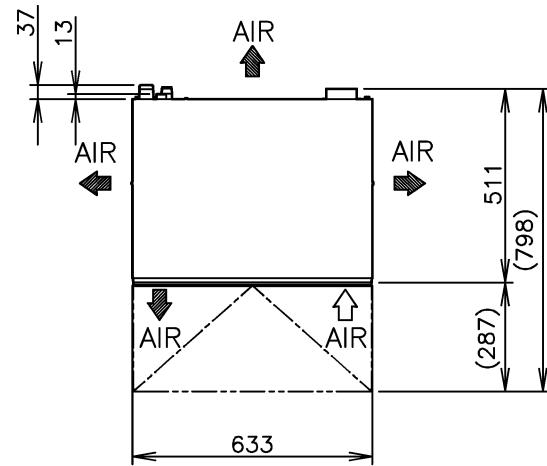


1. Install the product properly in accordance with the instructions on location, water supply/drain connections and electrical connections stated in the instruction and installation manuals provided. Allow 10mm extra space at the installation site to meet any installation requirements (additional spacing is also required for proper air flow and pipe connections).
2. The ice production depends on the ambient and water temperatures. Refer to the instruction manual.
3. Product Code: M065-D001



ITEM	Hoshizaki Cube Ice Maker	
MODEL	IM-45CNE-HC-25	
POWER SUPPLY	1 PHASE 220-240V 50Hz Capacity: Min. 0.57kVA (2.4A)	
AMPERAGE	Running: 1.9A Rated Motor: 1.9A Starting: 9A	
ELECTRIC CONSUMPTION	Rated Motor: 275W (Power factor: 60%)	
ICE PRODUCTION PER 24h	Approx. 35kg (5mm)/39kg (15mm) (Ambient Temp.10°C, Water Temp.10°C) Approx. 32kg (5mm)/35kg (15mm) (Ambient Temp.21°C, Water Temp.15°C) Approx. 27kg (5mm)/28kg (15mm) (Ambient Temp.32°C, Water Temp.21°C)	
WATER CONSUMPTION PER 24h	Approx. 0.20m ³ (Ambient Temp.10°C, Water Temp.10°C) Approx. 0.12m ³ (Ambient Temp.21°C, Water Temp.15°C) Approx. 0.10m ³ (Ambient Temp.32°C, Water Temp.21°C)	
SHAPE OF ICE	Cube Approx. 25 x 25 x 23mm	
FREEZE CYCLE TIME	Approx. 24min (Ambient Temp.21°C, Water Temp.15°C)	
ICE PRODUCTION PER CYCLE	Approx 0.55kg/42pcs. (Ambient Temp.21°C, Water Temp.15°C)	
MAX STORAGE CAPACITY	Approx. 15kg (Bin Control Setting Approx. 8kg)	
OUTSIDE DIMENSIONS	633mm (W) x 511mm (D) x 690mm (H)	
EXTERIOR	Stainless Steel, Galvanized Steel (Rear)	
INSULATION	Polyurethane Foam	
INSULATION FOAM BLOWING AGENT	Water Blown	
CONNECTIONS-ELECTRIC	X-Type Con. (with CONT. Plug)	
CONNECTIONS-WATER SUPPLY	Inlet G3/4 (connected at rear side)	
CONNECTIONS-DRAIN	Outlet R3/4 (connected at rear side)	
ICE MAKING SYSTEM	Cell type	
HARVESTING SYSTEM	Hot Gas Defrost	
COMPRESSOR	Hermetic	
CONDENSER	Fin and Tube type , Air-cooled	
HEAT REJECTION	655W (565kcal/h) (Ambient Temp.32°C, Water Temp.21°C)	
EVAPORATOR	Tin-plated Copper Tube on Sheet and Cells	
REFRIGERANT CONTROL	Capillary Tube	
REFRIGERANT CHARGE	R290/70g	
ICE MAKING CONTROL	Thermistor, Timer	Controller Board
HARVESTING CONTROL	Thermistor	
BIN CONTROL	Microswitch (with Time Delay)	
ICE MAKING WATER CONTROL	Timer, Water Pan's Movement	
ELECTRICAL PROTECTION	Class I Appliance, 5A Fuse	
COMPRESSOR PROTECTION	Overload Protector(Auto-reset) Pressure Switch(Auto-reset)	
ICE MAKER PROTECTION	Interlock by Controller Board	
WEIGHT	45kg (Gross 55kg)	
PACKAGE	Carton 735mm (W) x 570mm (D) x 864mm (H)	
ACCESSORIES	Scoop, Leg, Installation Kit	
OPERATING CONDITIONS	Ambient Temp.: 1 - 40°C, Water Supply Temp.: 5-35°C Water Supply Pressure: 0.07-0.8MPa (0.7-8bar) Voltage Range: Rated Voltage±6%	

*We reserve the right to make changes in specifications and design without prior notice.

HOSHIZAKI CUBE ICE MAKER IM-45CNE-HC-25

APPROVED KUROYANAGI	CHECKED SEKI	DESIGNED UEDA	DRAWN WATANABE	SCALE 1/20	TRIGONOMETRY
*	*	△	*****	DATE 2015.09.11	DRAWING NO. D16442
APPROVED	DESIGNED	SYMBOL	DATE		SYMBOL △